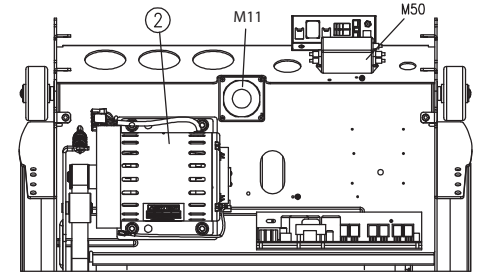
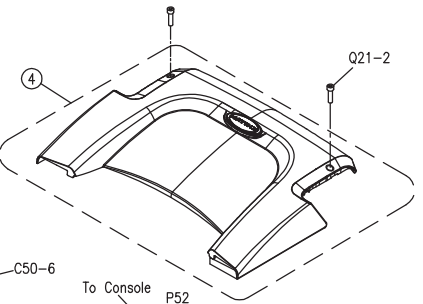
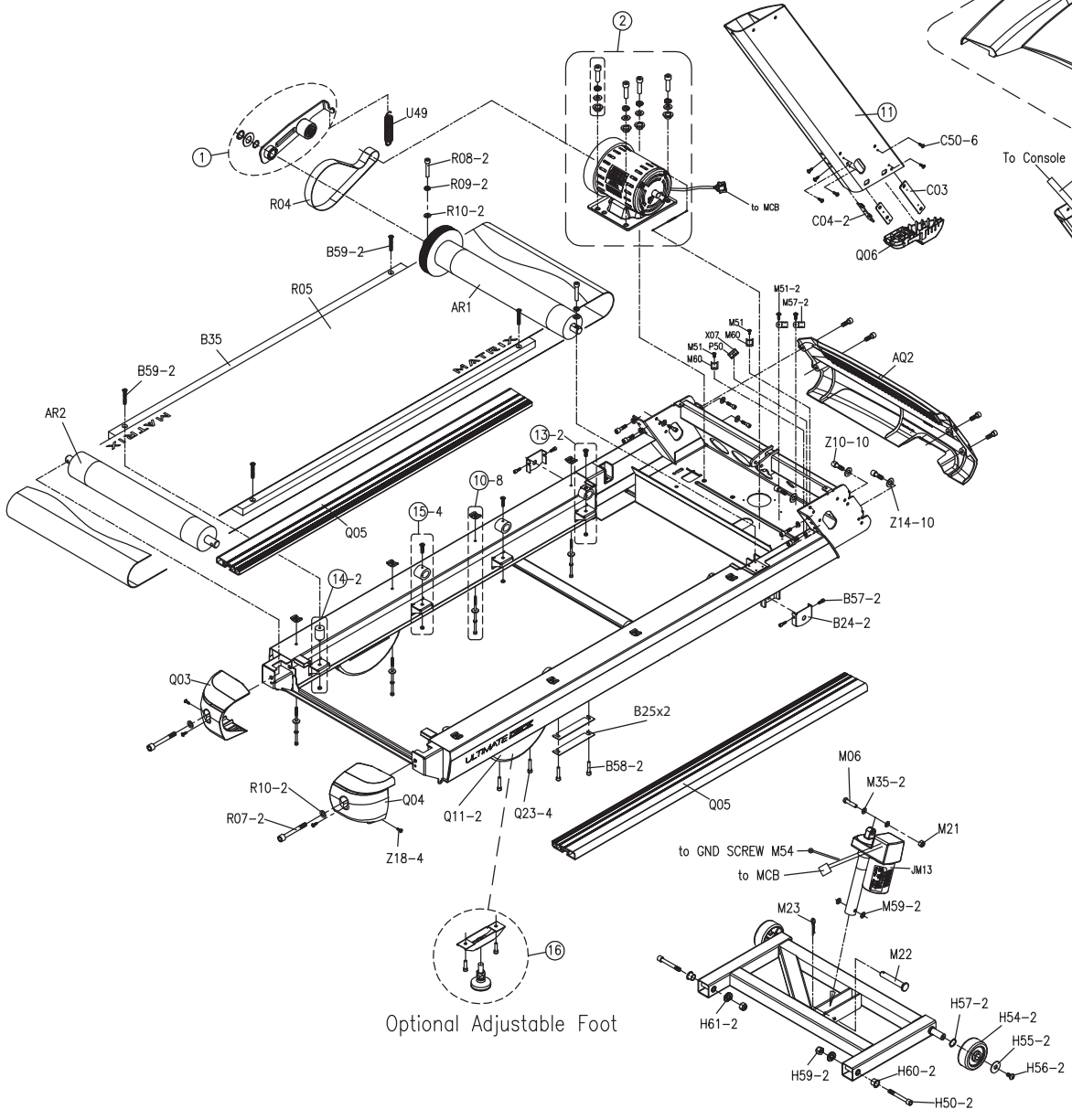
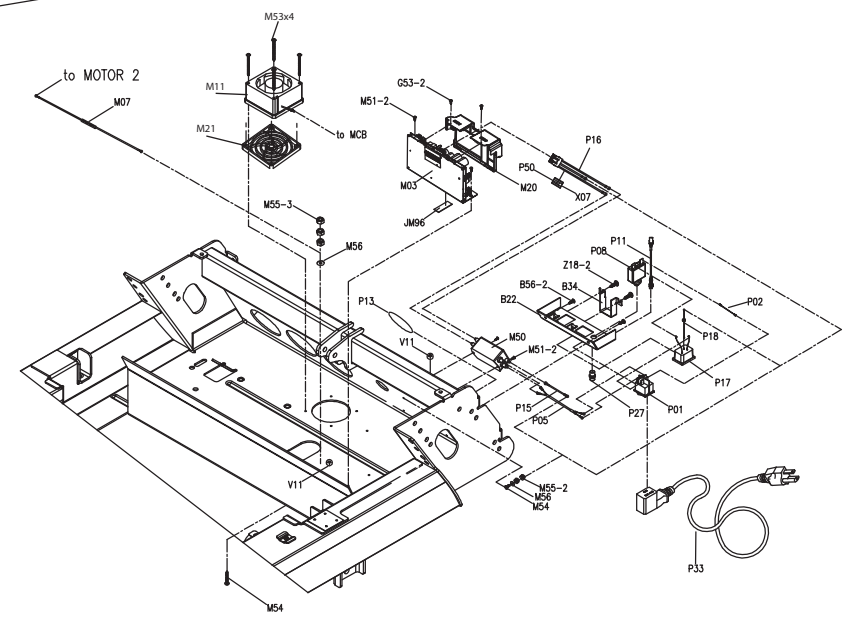


DRAWING NO 圖號	TM501C-A04
PART NAME(CH) 零件名稱(中文)	零件爆炸圖;車架組
PART NAME(EN) 零件名稱(英文)	Explosive Rendering;Frame
SAP PART NO SAP料號	1000201160

FOR TM501C-1US-F

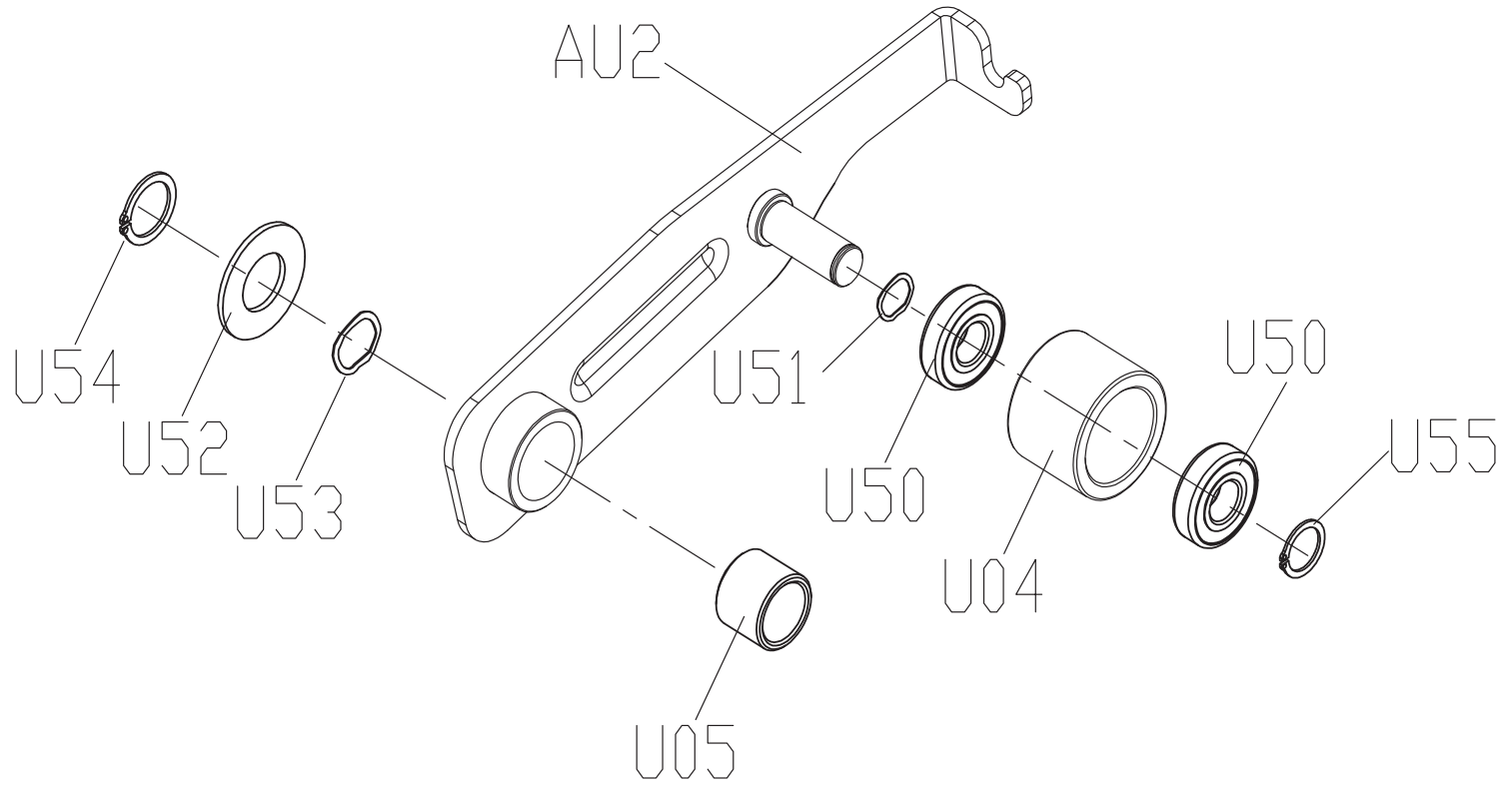


Top View of Electrical Components

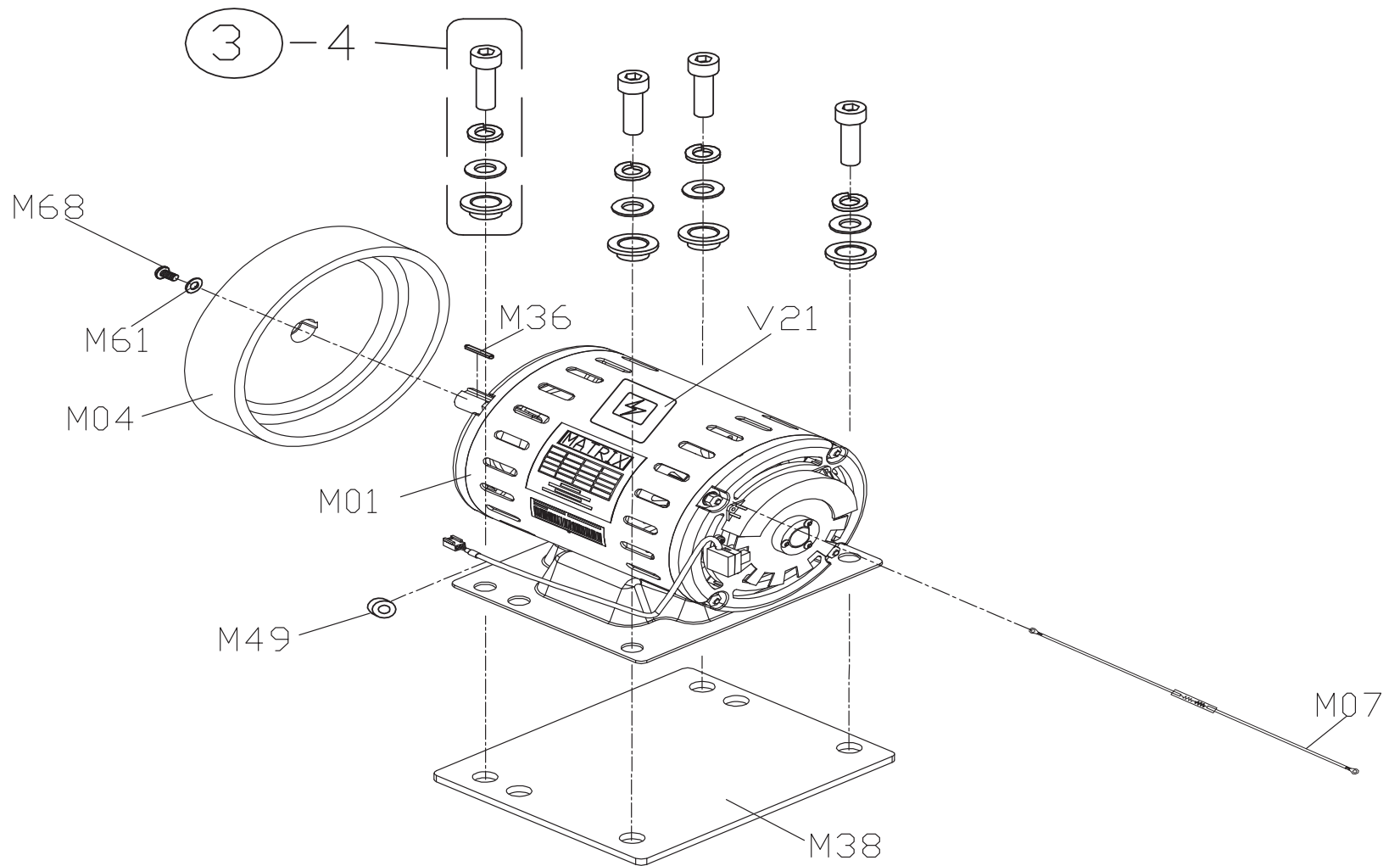


Detail View of Electrical Components

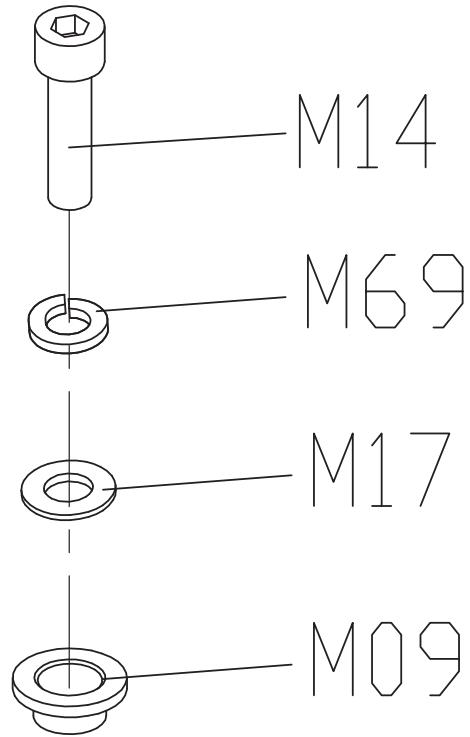
DRAWING NO 圖號	TM501-AU11
PART NAME(CH) 零件名稱(中文)	壓力車輪組
PART NAME(EN) 零件名稱(英文)	TENSION WHEEL SET
SAP PART NO SAP料號	0000088969  A



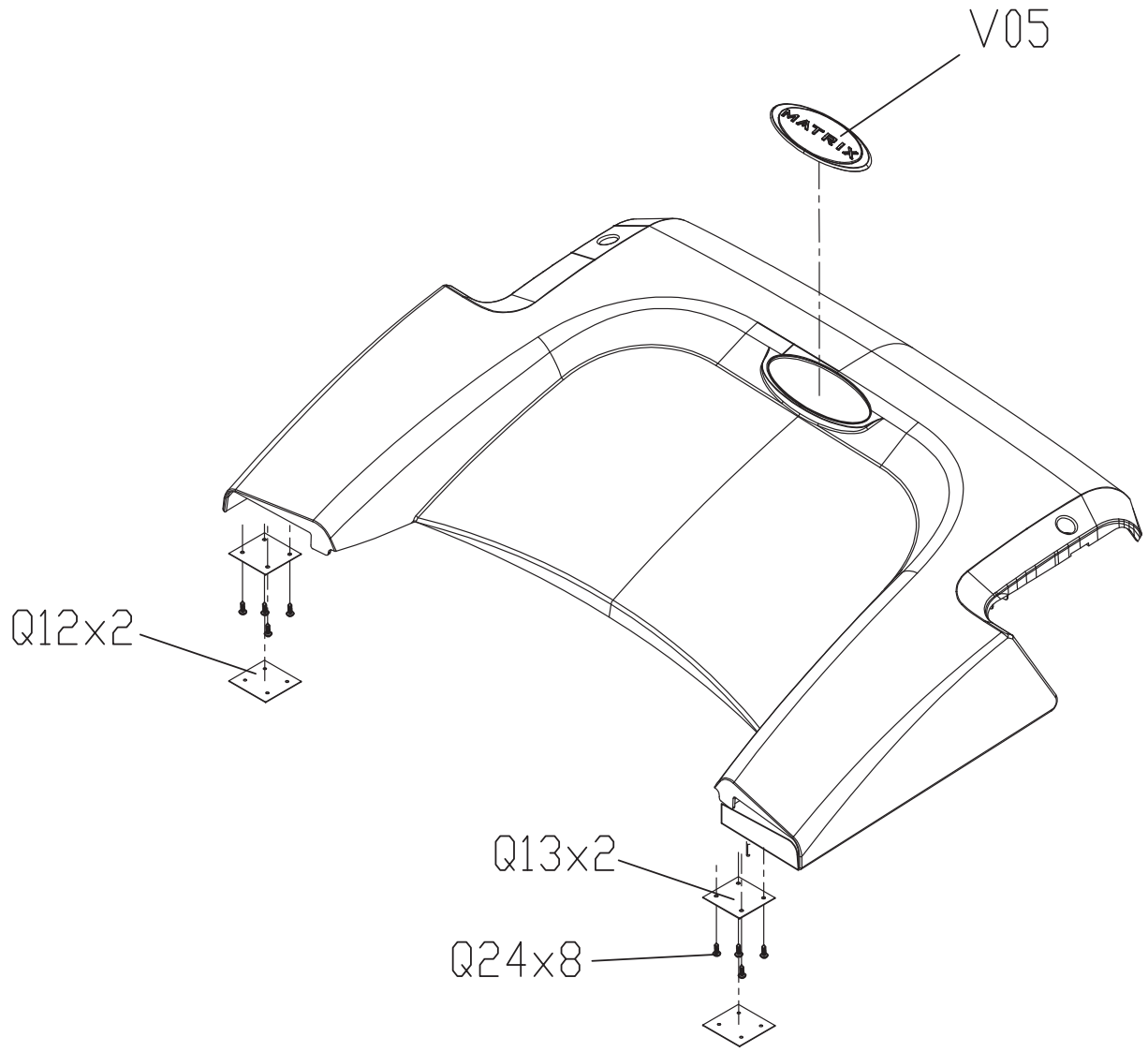
DRAWING NO 圖號	TM501-AM1
PART NAME(CH) 零件名稱(中文)	馬達組
PART NAME(EN) 零件名稱(英文)	Motor Set
SAP PART NO SAP料號	0000084532 C



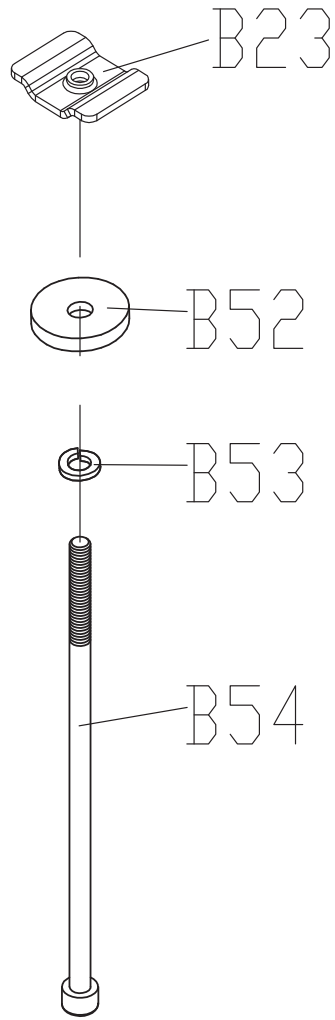
DRAWING NO 圖號	TM501-AM11
PART NAME(CH) 零件名稱(中文)	馬達螺絲組
PART NAME(EN) 零件名稱(英文)	MOTOR SCREW & WASHER SET
SAP PART NO SAP料號	0000088971
	REV A



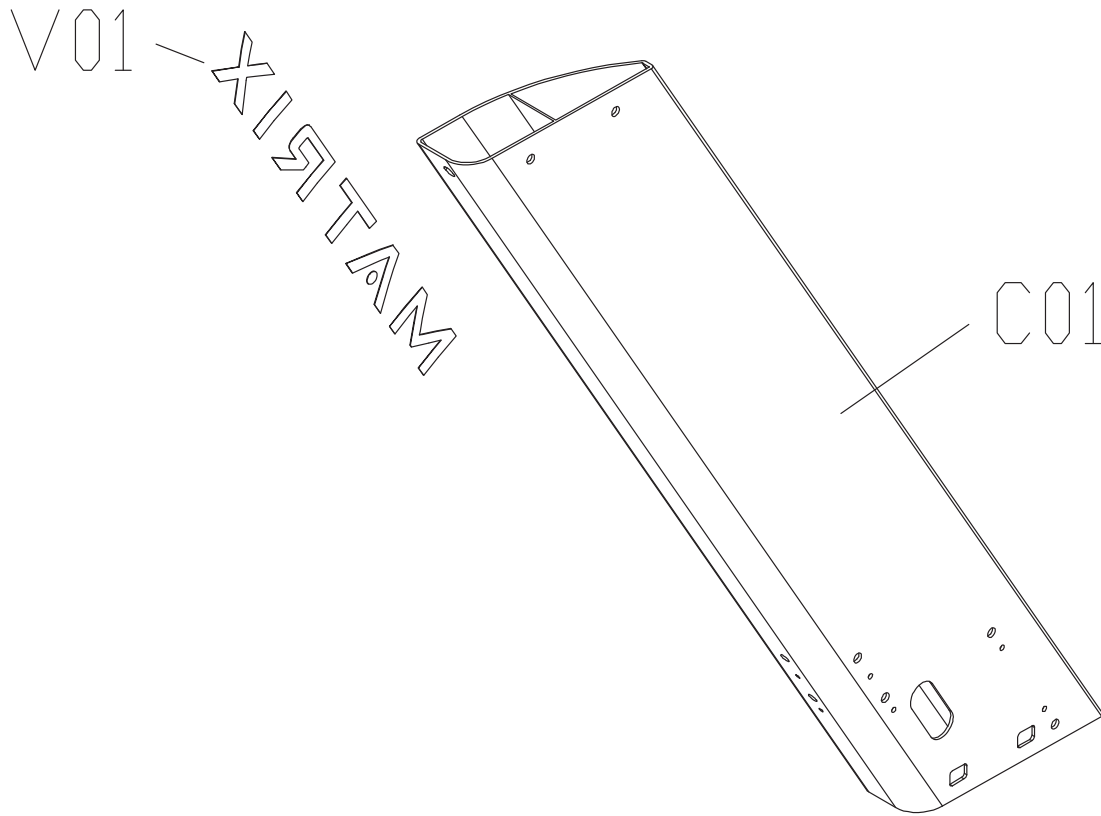
DRAWING NO 圖號	TM501-AQ10
PART NAME(CH) 零件名稱(中文)	馬達上護蓋組;含彩標
PART NAME(EN) 零件名稱(英文)	MOTOR COVER SET;WITH NCLUDE NAMEPLATE
SAP PART NO SAP料號	0000088973 A



DRAWING NO 圖號	TM501-AB24
PART NAME(CH) 零件名稱(中文)	護條固定塊組
PART NAME(EN) 零件名稱(英文)	SIDE RAIL FIXING BRACKET SET
SAP PART NO SAP料號	0000088979 ^{REV} A

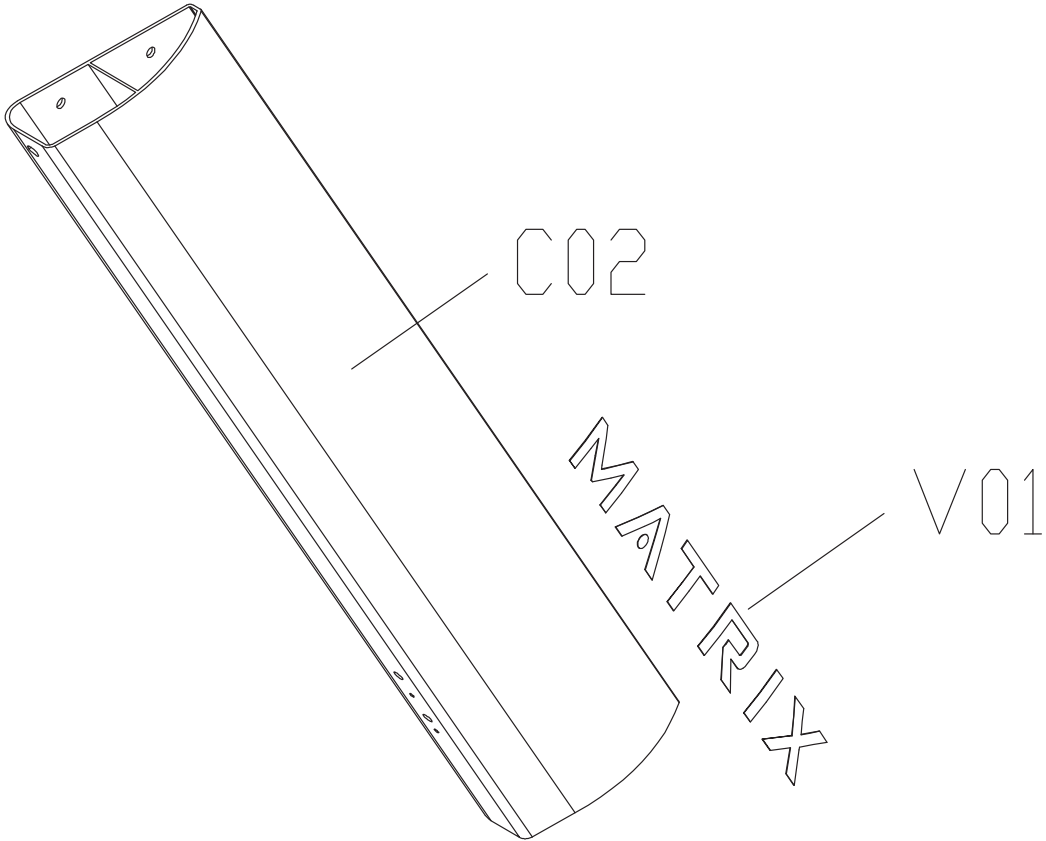


DRAWING NO 圖號	TM501-AC1
PART NAME(CH) 零件名稱(中文)	儀錶管;左
PART NAME(EN) 零件名稱(英文)	Console Mast;Left
SAP PART NO SAP料號	0000084530 B

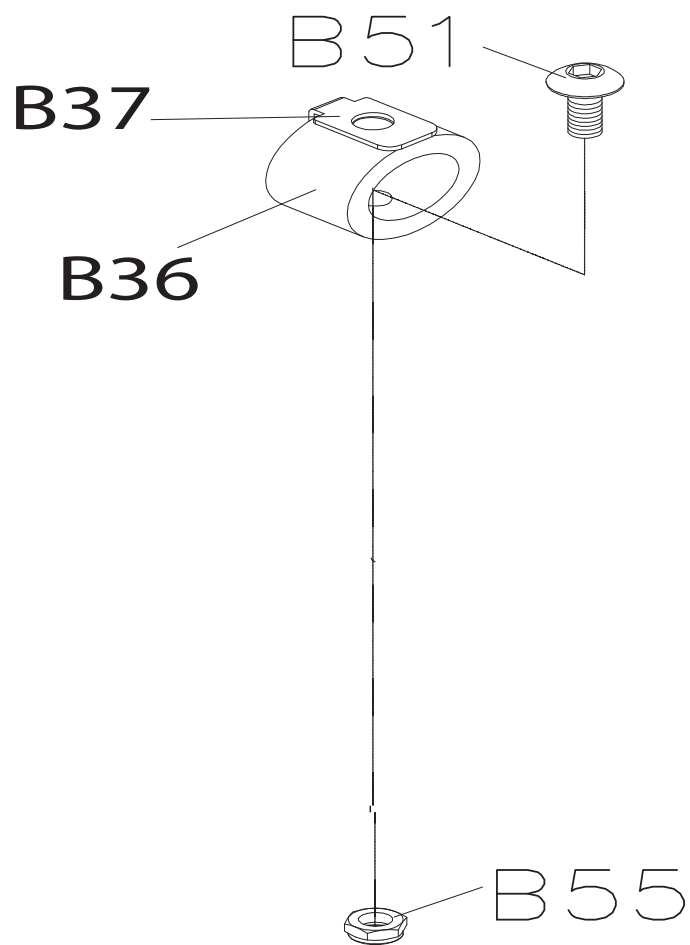


DRAWING NO 圖號	TM501-AC2
PART NAME(CH) 零件名稱(中文)	儀錶管;右
PART NAME(EN) 零件名稱(英文)	Console Mast;Right
SAP PART NO SAP料號	0000084540

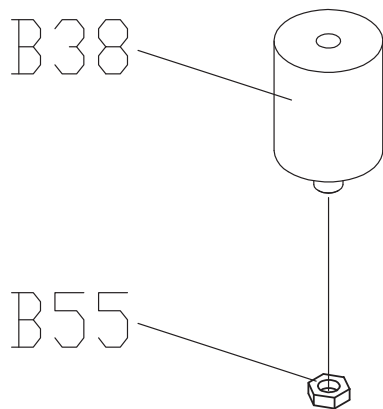
REV
IV



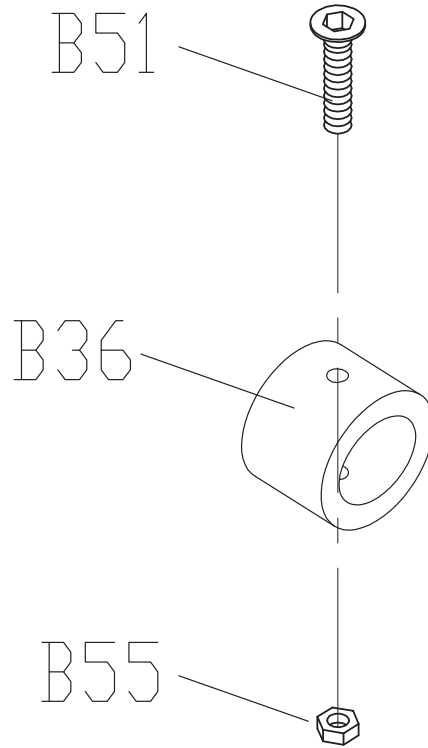
DRAWING NO 圖號	TM501-AB21
PART NAME(CH) 零件名稱(中文)	緩衝墊組;跑板;前
PART NAME(EN) 零件名稱(英文)	Elastomer Set;Running Deck;Front
SAP PART NO SAP料號	0000089487



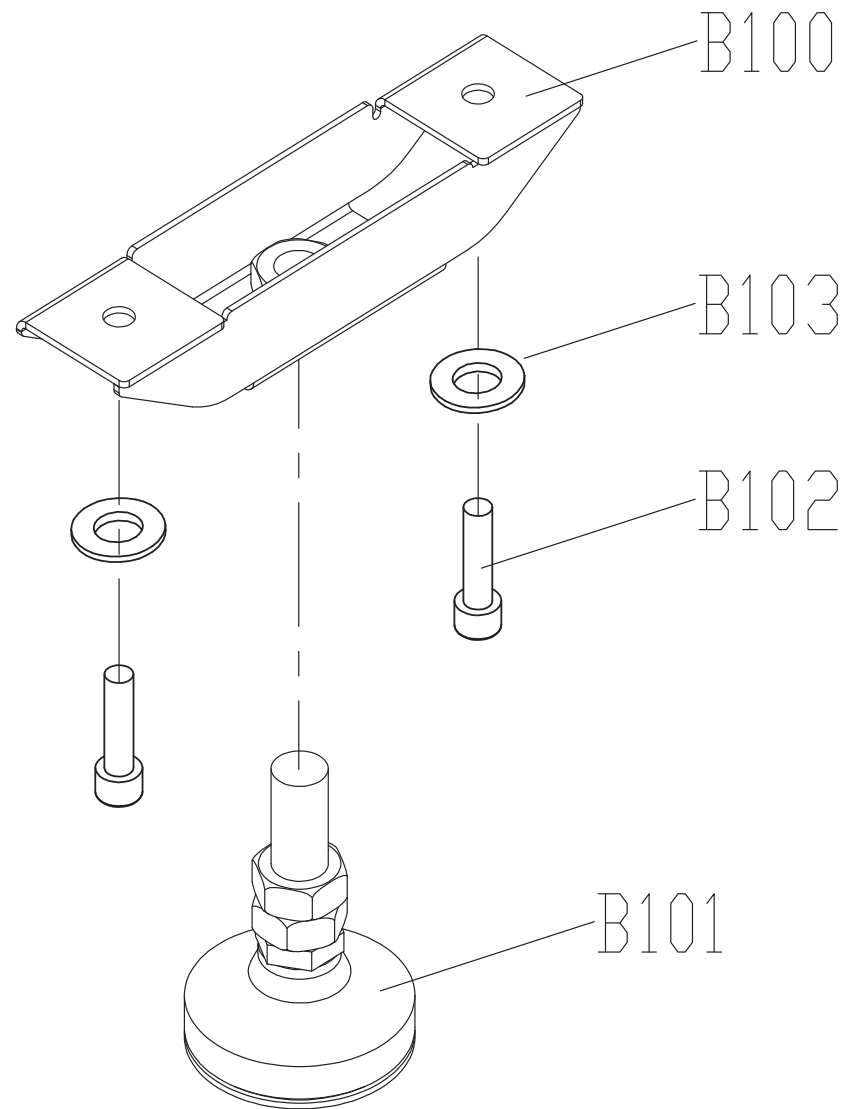
DRAWING NO 圖 號	TM501-AB23
PART NAME(CH) 零件名稱(中文)	緩衝墊組;跑板;後
PART NAME(EN) 零件名稱(英文)	Elastomer Set;Running Deck;Back
SAP PART NO SAP料號	0000089489
	圖號



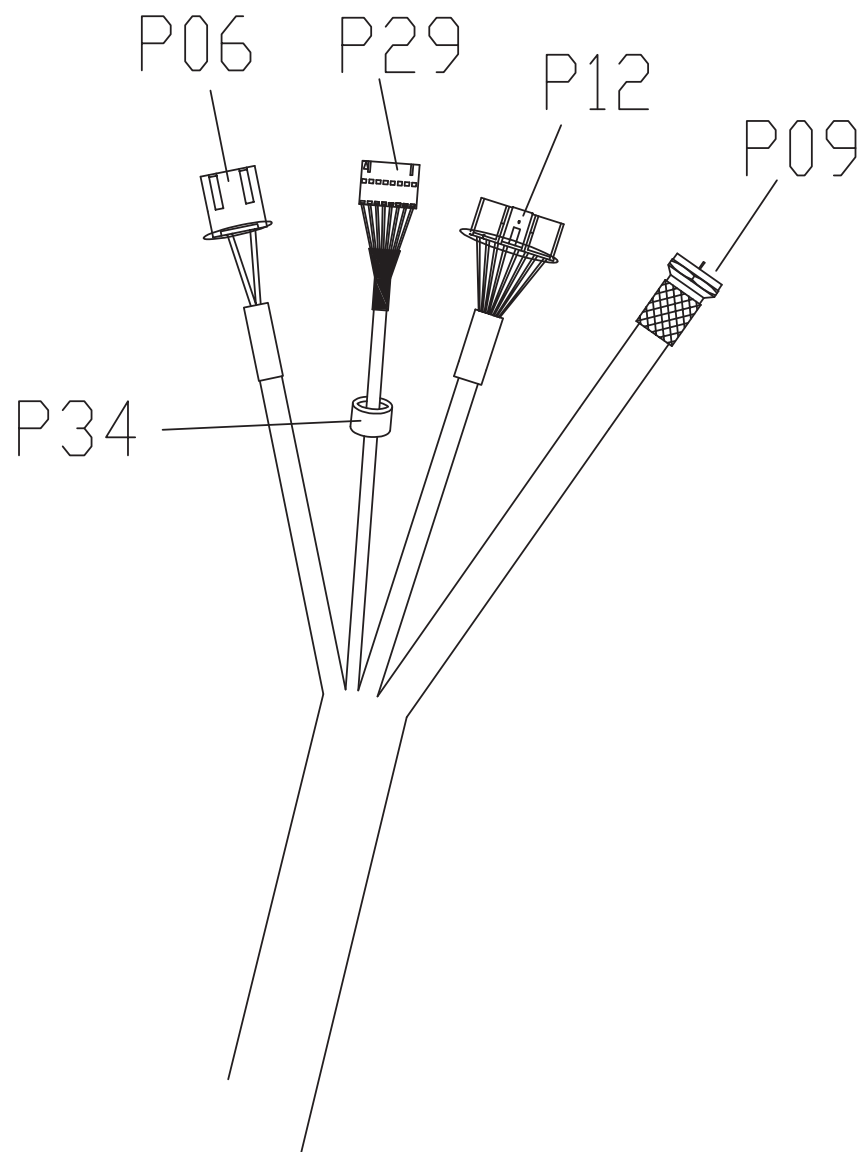
DRAWING NO 圖號	TM501-AB22
PART NAME(CH) 零件名稱(中文)	緩衝墊組;跑板;中
PART NAME(EN) 零件名稱(英文)	Elastomer Set;Running Deck;Middle
SAP PART NO SAP料號	0000089488 ^{REV} A



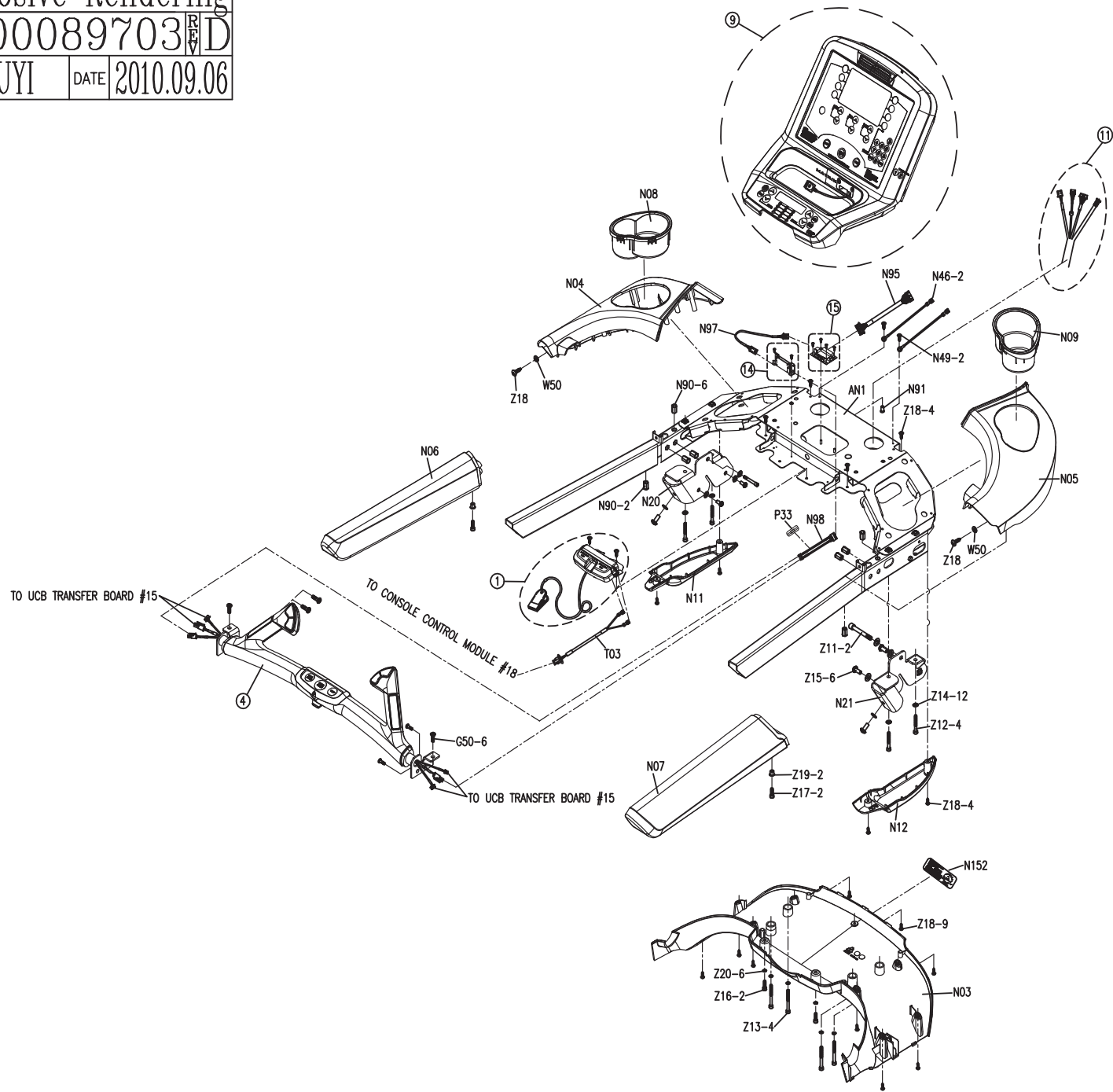
DRAWING NO 圖號	TM501-AB25
PART NAME(CH) 零件名稱(中文)	脚踏垫组;后
PART NAME(EN) 零件名稱(英文)	ADJUSTABLE REAR FOOT SET
SAP PART NO SAP料號	0000088993 A



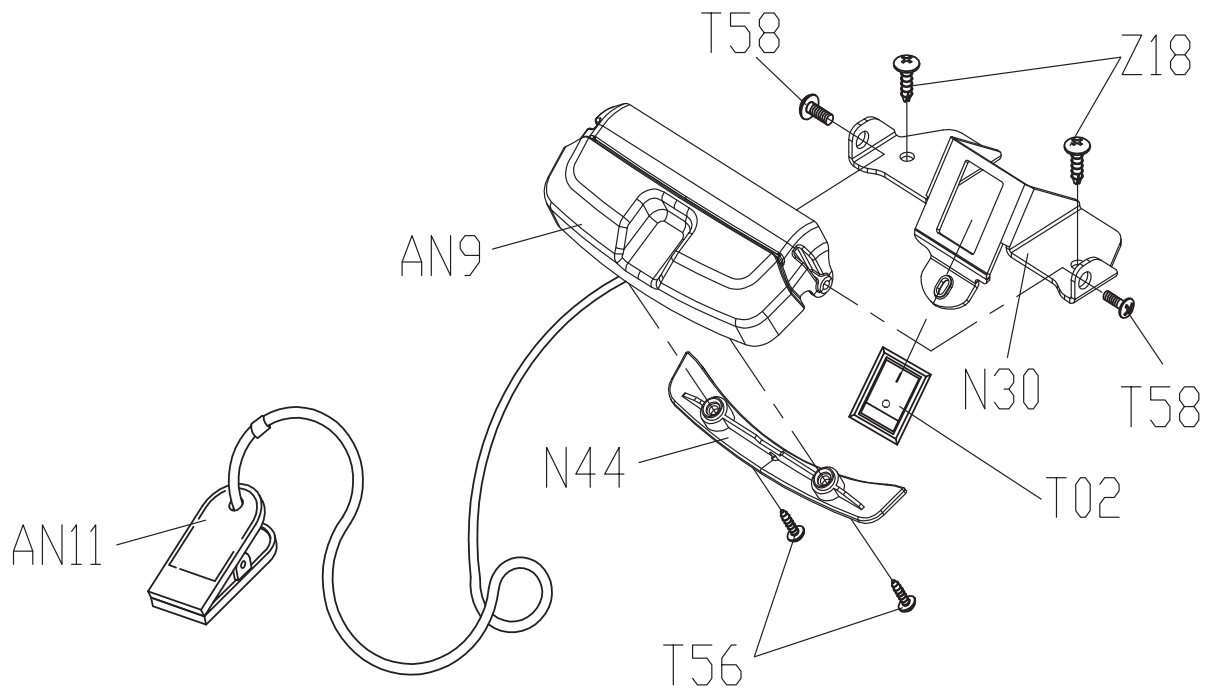
DRAWING NO 圖 號	TM501-AP10
PART NAME(CH) 零件名稱(中文)	儀錶線材組
PART NAME(EN) 零件名稱(英文)	Console Cable Set
SAP PART NO SAP料號	As Attachment  A



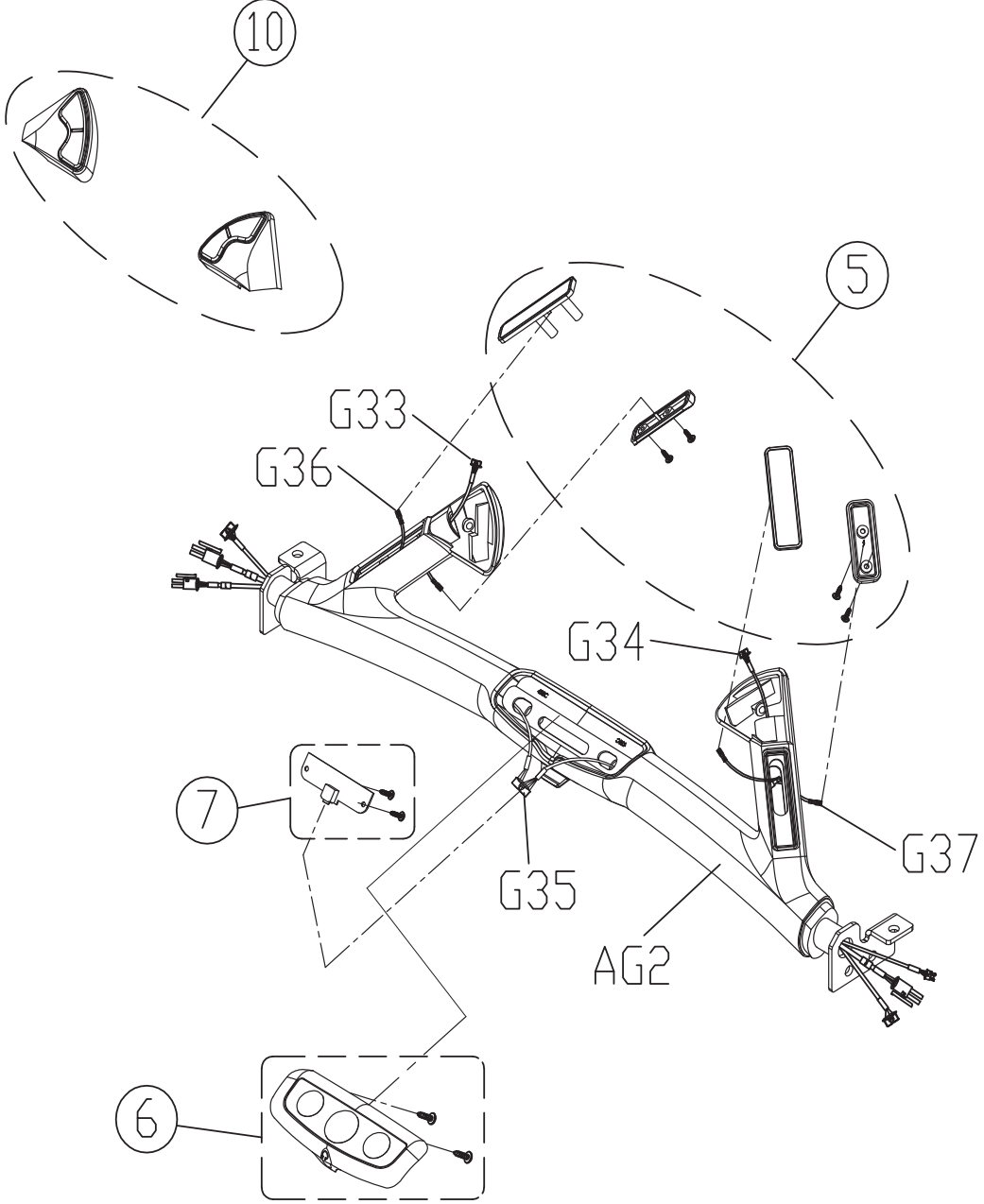
DRAWING NO	TM502-A25		
PART NAME	Explosive Rendering		
PART NO	0000089703		
APPROVE	SHUYI	DATE	2010.09.06



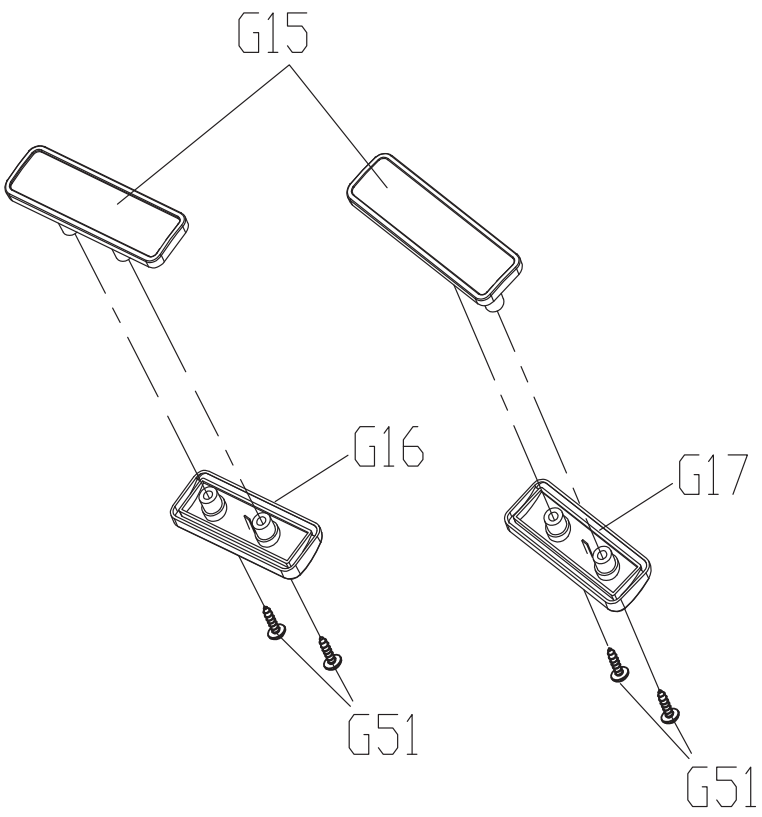
DRAWING NO 圖號	TM501-AT5
PART NAME(CH) 零件名稱(中文)	安全開關組
PART NAME(EN) 零件名稱(英文)	Safety Key Set
SAP PART NO SAP料號	0000088982 A



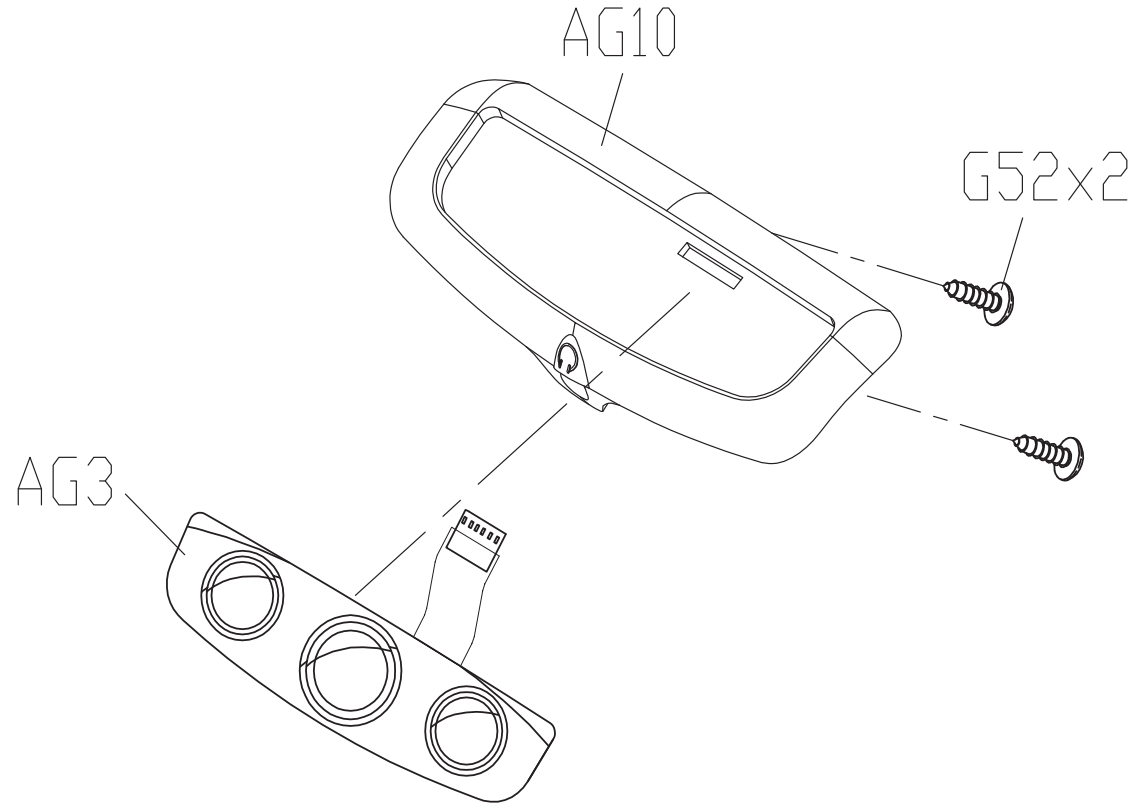
DRAWING NO	TM502-AG11		
PART NAME	Handlebar Set		
PART NO		REV	A
APPROVE	SHUYI	DATE	07.28.10



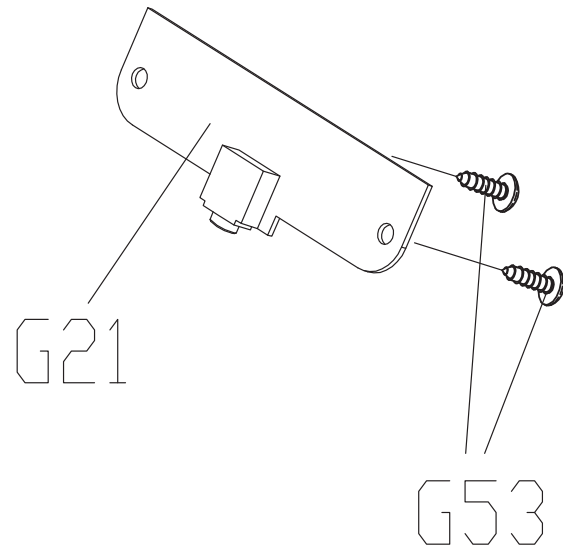
DRAWING NO	TM502-AG13		
PART NAME	HR Grip Cover Set		
PART NO	0000091816 REV A		
APPROVE	SHUYI	DATE	07.26.10



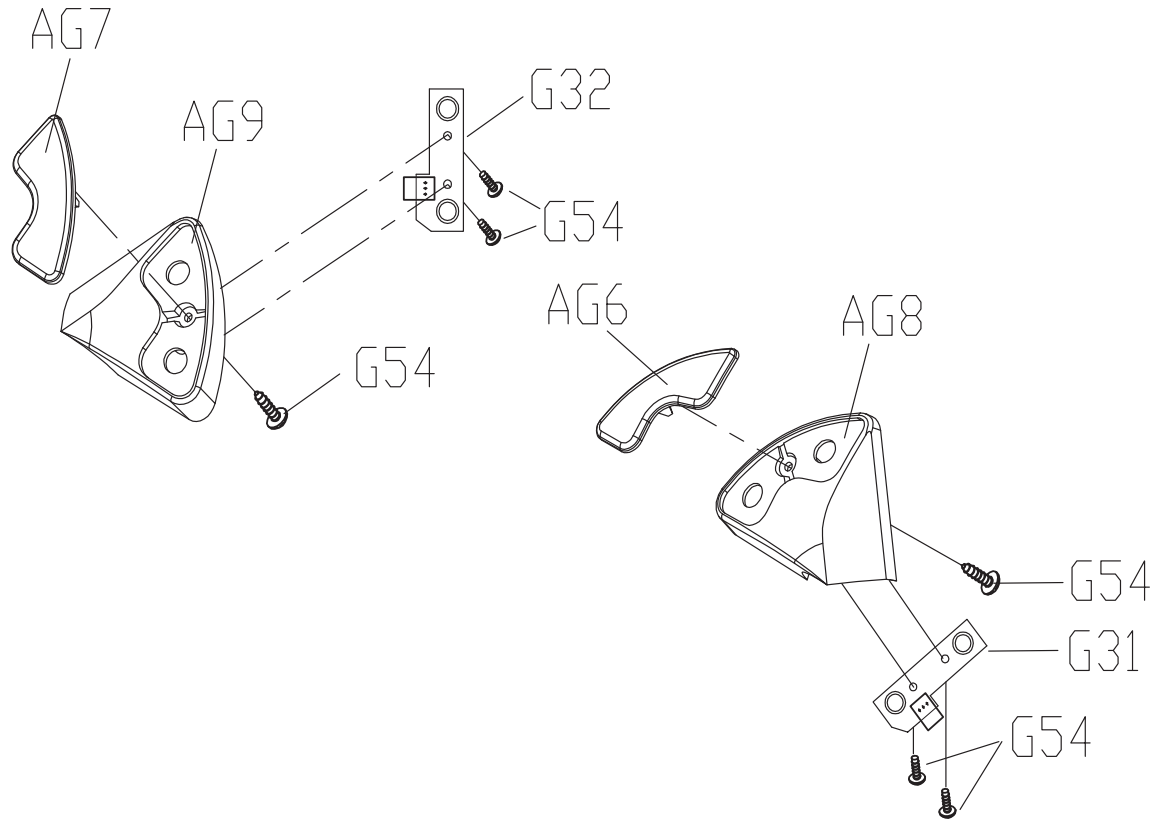
DRAWING NO	TM501-AG12		
PART NAME	Quick Start Overlay Set		
PART NO	As Attachment B		
APPROVE	S.T.C	DATE	09.08.10



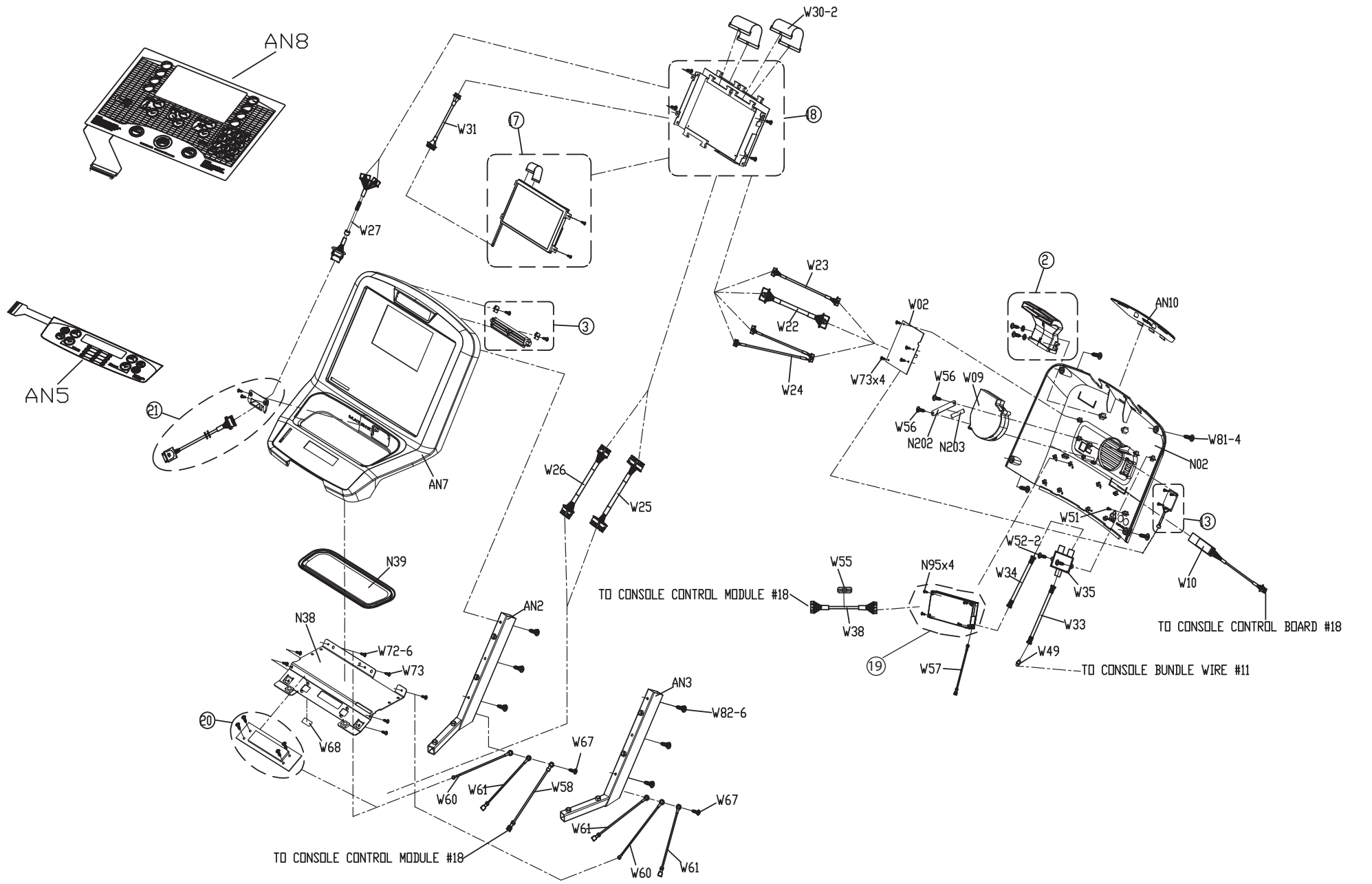
DRAWING NO 圖號	TM501-AG16
PART NAME(CH) 零件名稱(中文)	耳機小板組
PART NAME(EN) 零件名稱(英文)	Ear Phone Board Set
SAP PART NO SAP料號	0000094434
	REV A



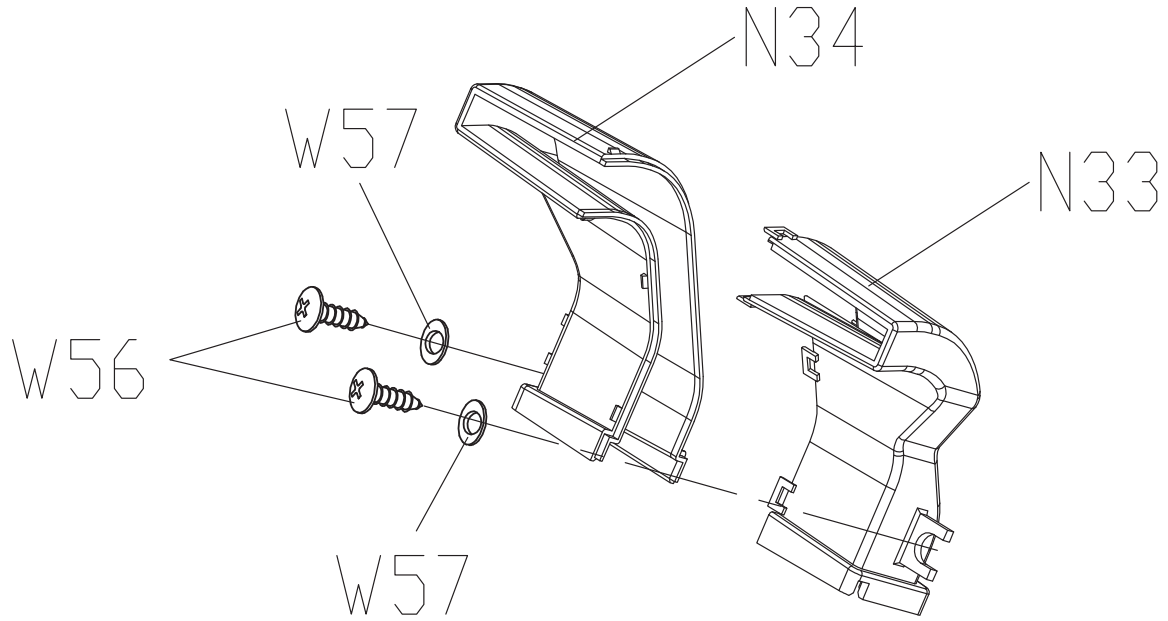
DRAWING NO	TM502-AG12		
PART NAME	Quick Key Set		
PART NO	0000089687 <small>REV</small> A		
APPROVE	SHUYI	DATE	07.23.10



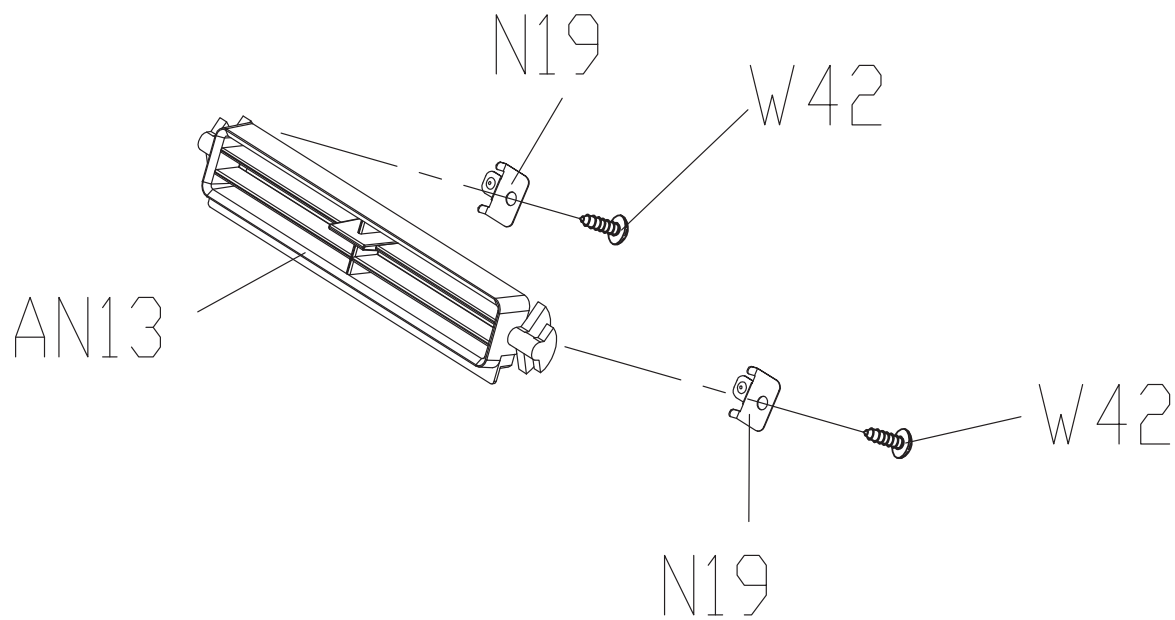
DRAWING NO	TM502-AN10		
PART NAME	Console Set		
PART NO	As Attachment $\frac{1}{2}$ L		
APPROVE	SHUYI	DATE	2010.11.03



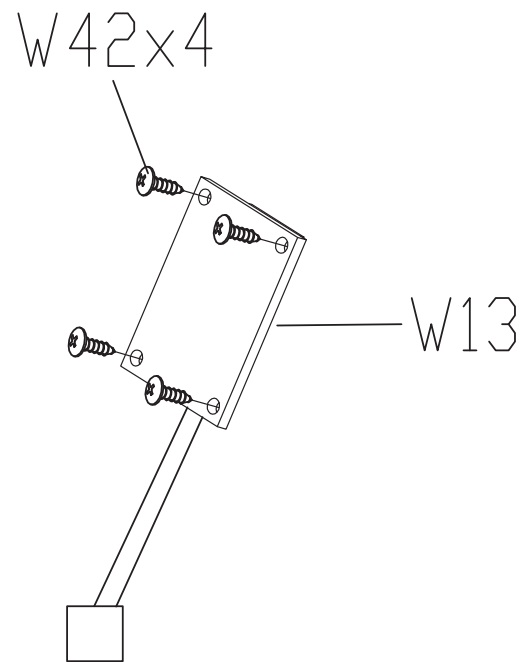
DRAWING NO 圖號	TM501-AN15
PART NAME(CH) 零件名稱(中文)	集風管護蓋組
PART NAME(EN) 零件名稱(英文)	FAN SHROUD SET
SAP PART NO SAP料號	0000088988  A




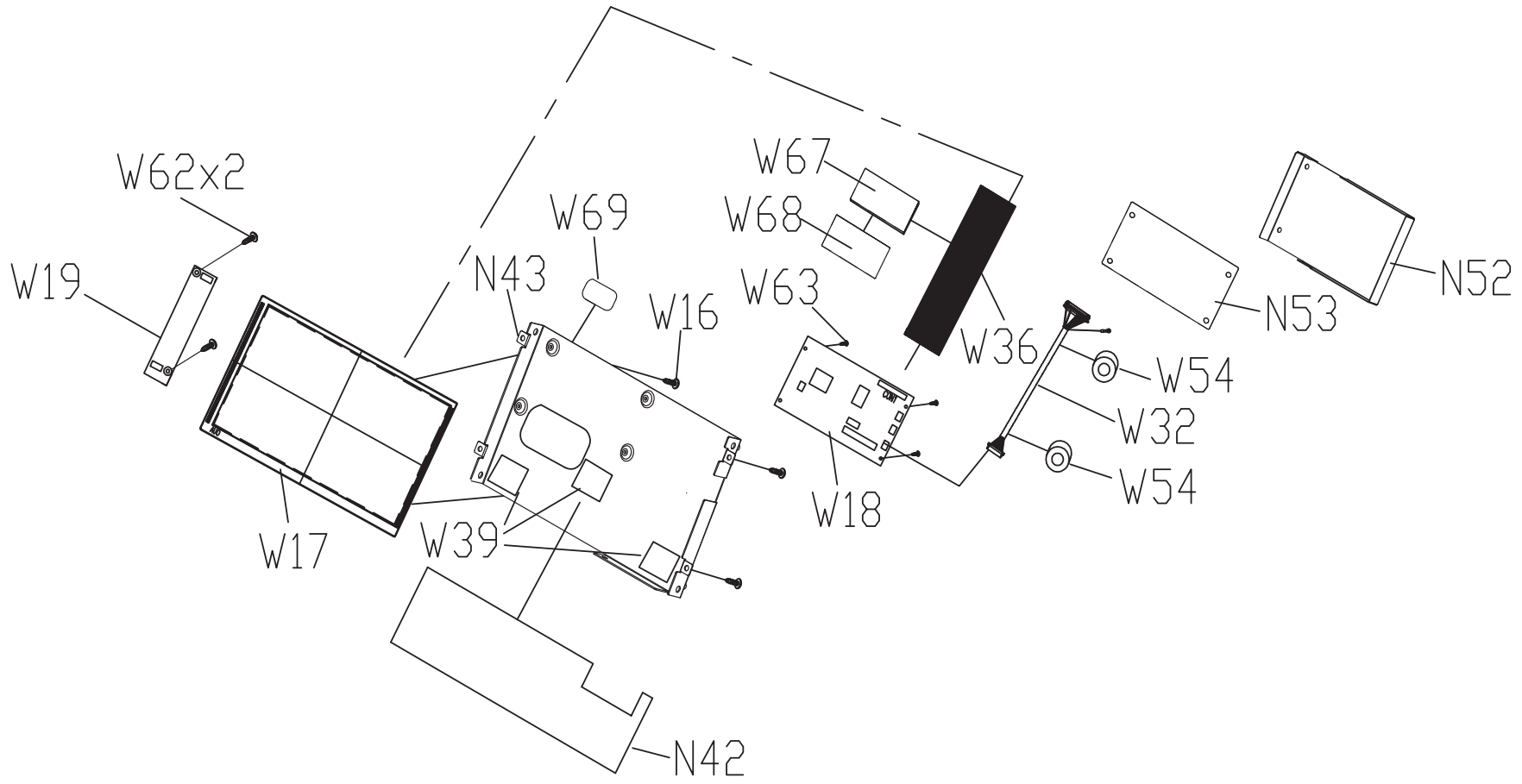
DRAWING NO 圖 號	TM501-AN14
PART NAME(CH) 零件名稱(中文)	風扇護蓋組
PART NAME(EN) 零件名稱(英文)	FAN VENT SET
SAP PART NO SAP料號	0000088984
	REV A



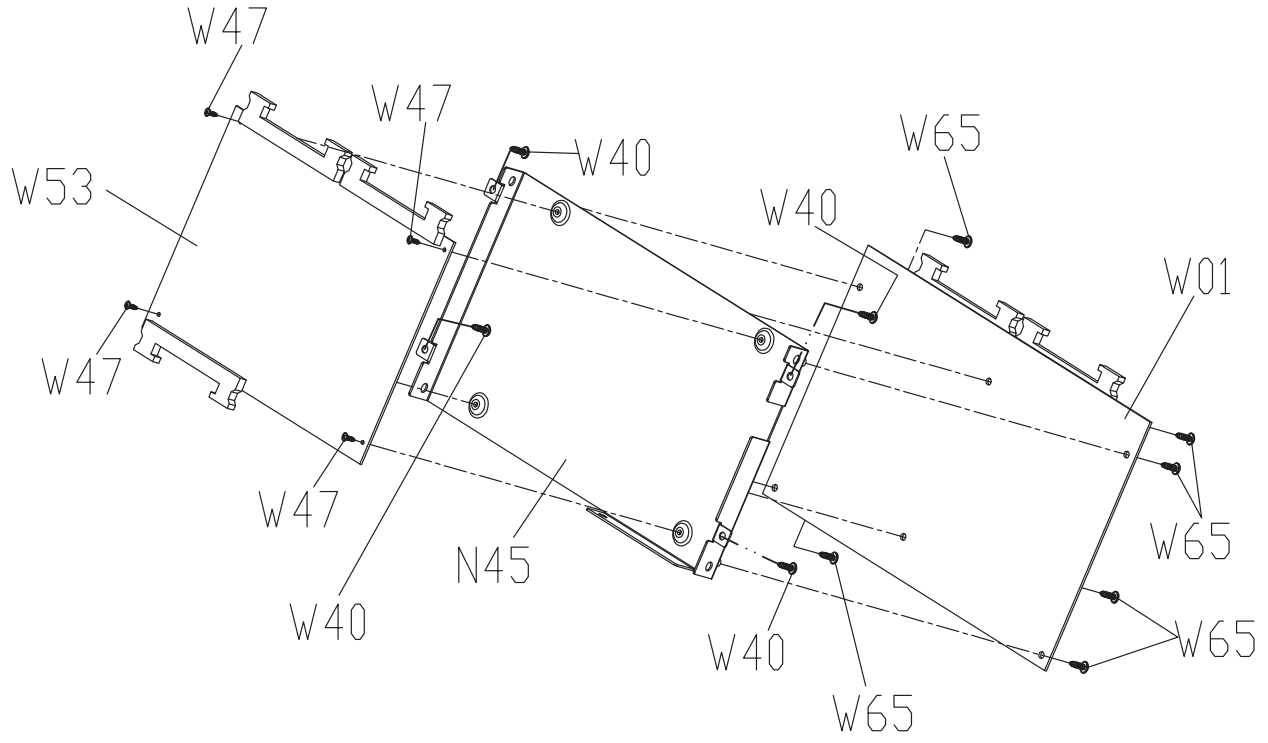
DRAWING NO 圖號	TM501-AW13
PART NAME(CH) 零件名稱(中文)	喇叭架系目
PART NAME(EN) 零件名稱(英文)	Speaker Set
SAP PART NO SAP料號	0000089498  A



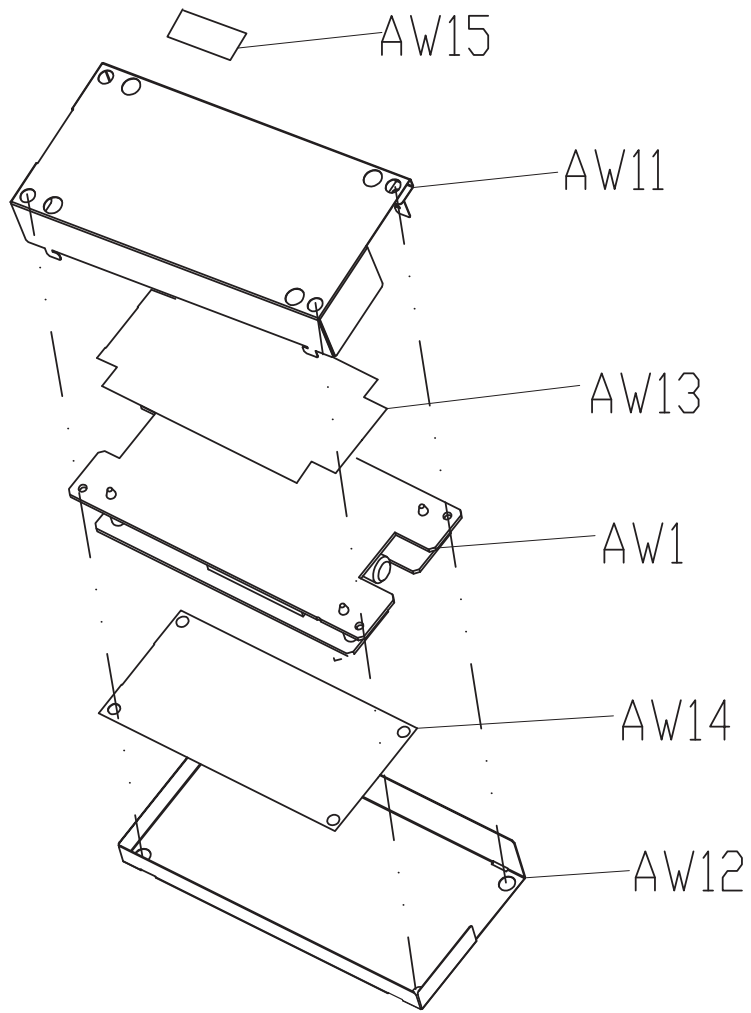
DRAWING NO	TM502-AN13		
PART NAME	7 Inch TFT LCD Module Set		
PART NO	0000089689  A		
APPROVE	SHUYI	DATE	07.26.10



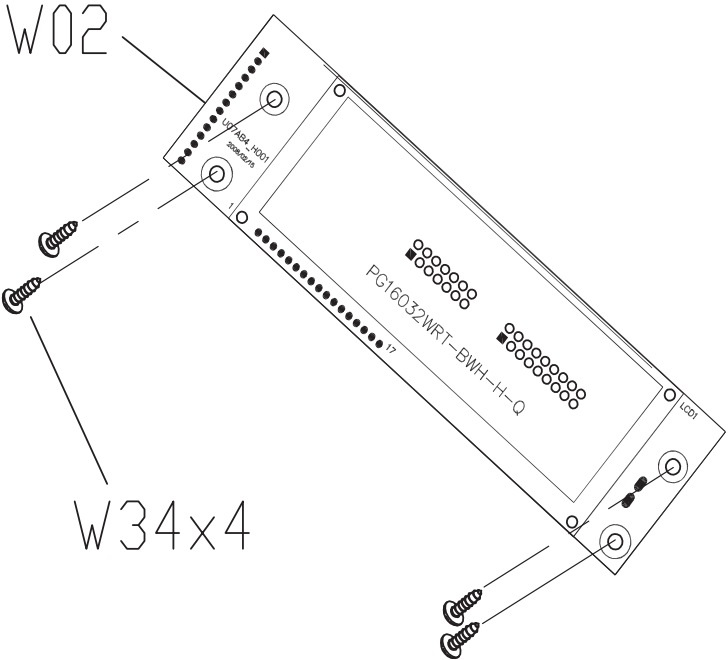
DRAWING NO	TM502-AN14		
PART NAME	CONSOLE CONTROL BOARD SET		
PART NO	0000094790		
APPROVE	SHUYI	DATE	2010.11.03



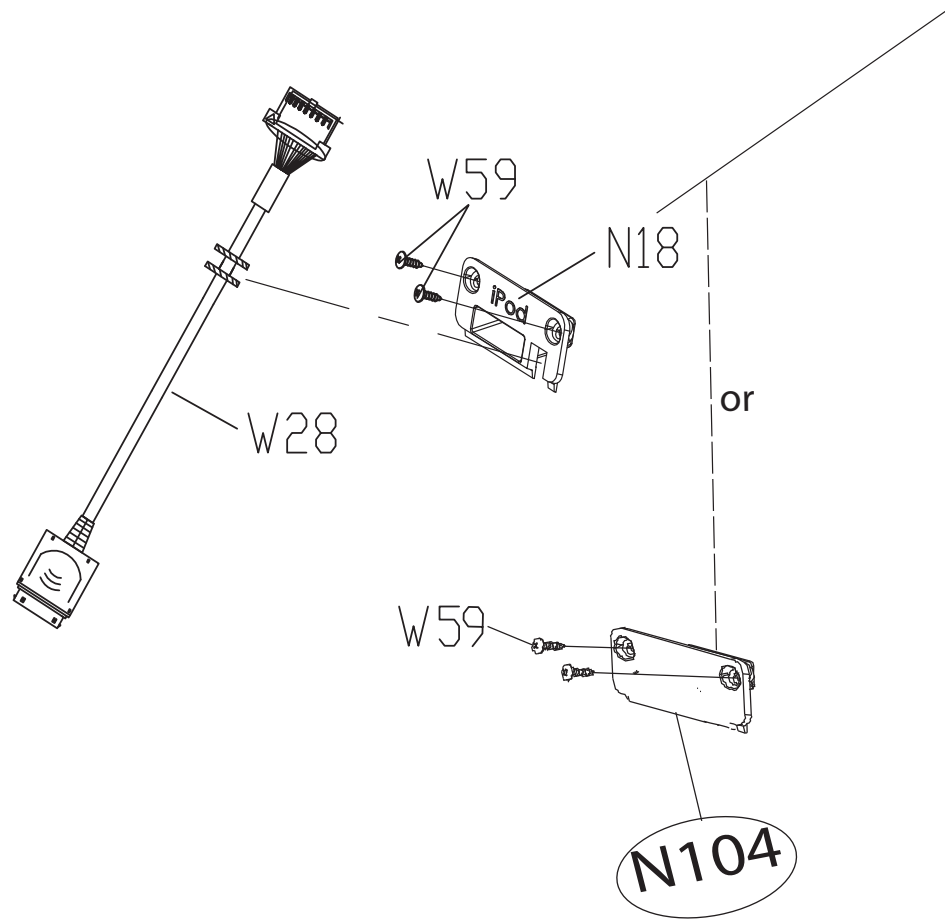
DRAWING NO	TM502-AW31		
PART NAME	TUNER Module Set		
PART NO	As attachment list B		
APPROVE	SHUYI	DATE	09.29.10



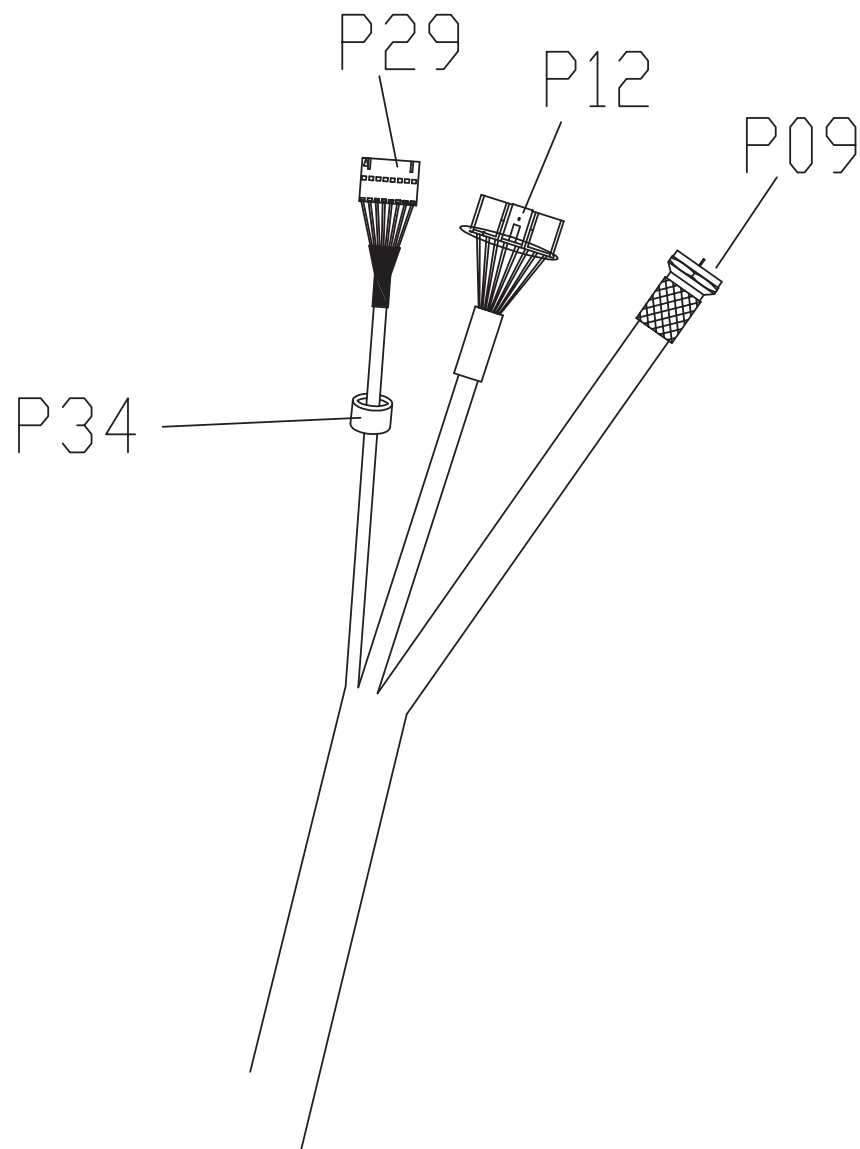
DRAWING NO	TM503-AW11		
PART NAME	TV Control Board Set		
PART NO	0000089691R/A		
APPROVE	SHUYI	DATE	07.26.10



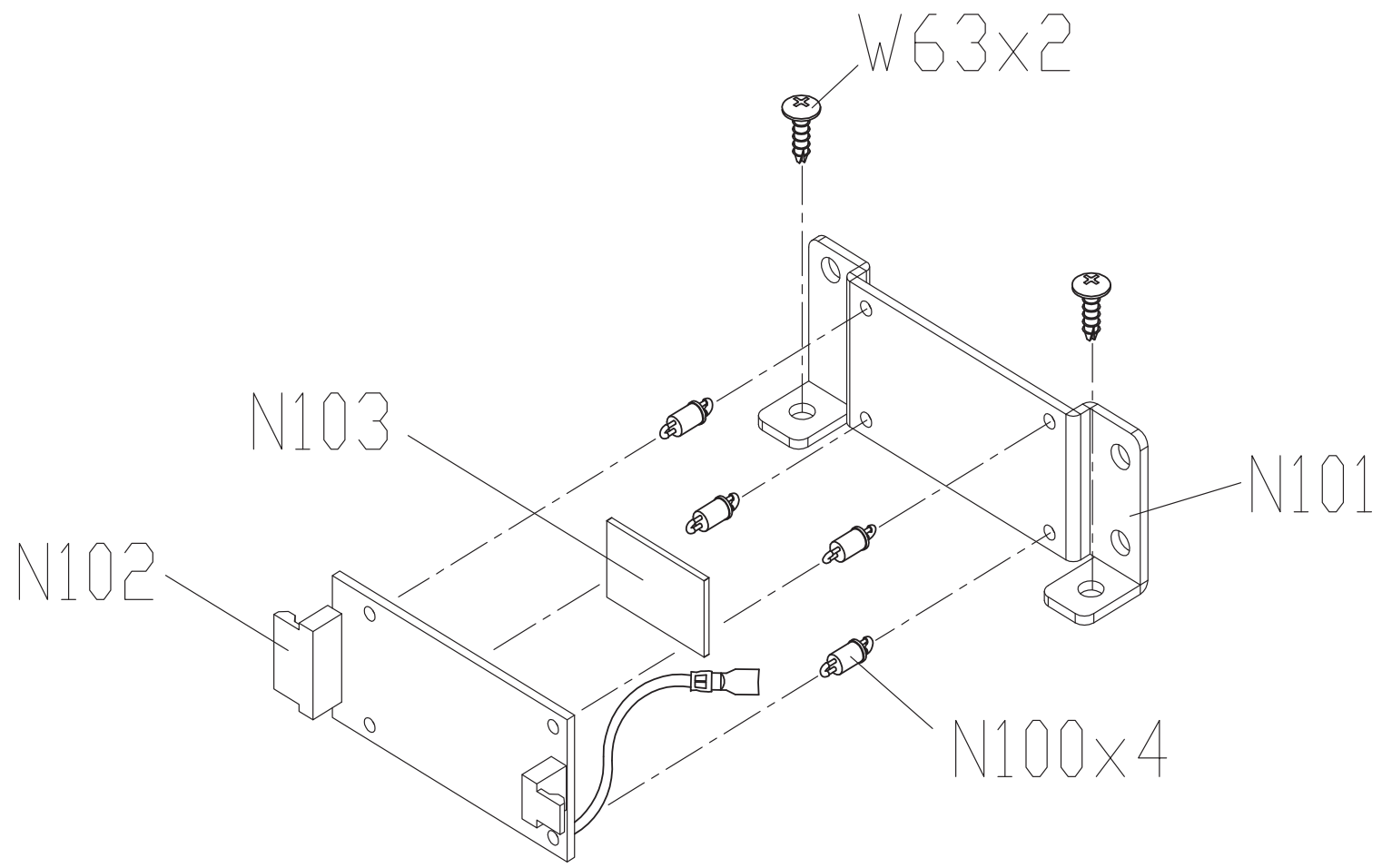
DRAWING NO	TM503-AW12		
PART NAME	Ipod Set		
PART NO	0000089782	REV	A
APPROVE	SHUYI	DATE	07.26.10



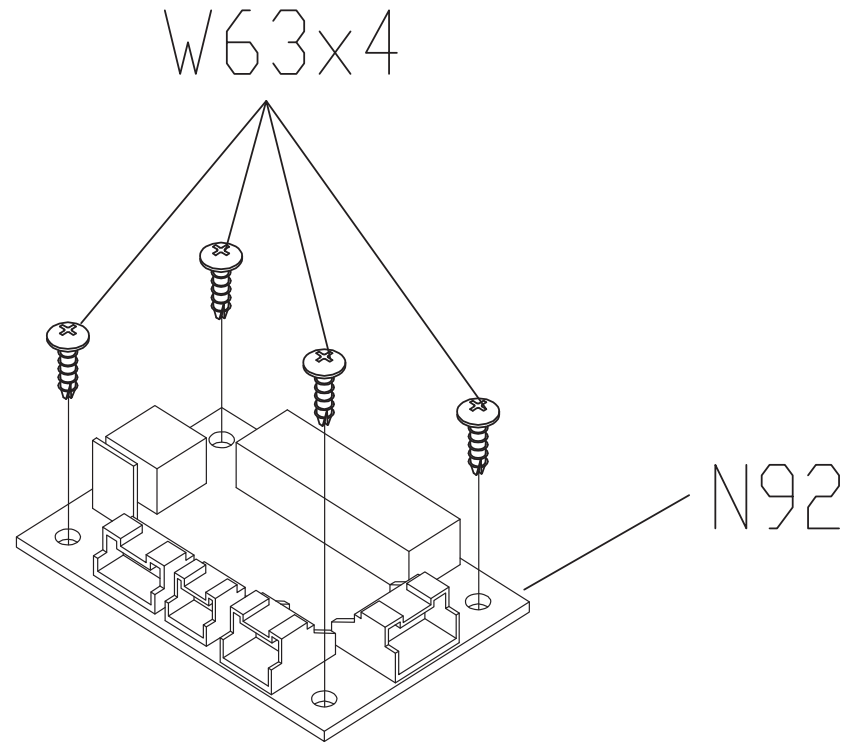
DRAWING NO 圖號	TM501C-AP10
PART NAME(CH) 零件名稱(中文)	儀錶線材組
PART NAME(EN) 零件名稱(英文)	Console Cable Set
SAP PART NO SAP料號	1000201166  A



DRAWING NO 圖號	TM501-AN17
PART NAME(CH) 零件名稱(中文)	心跳板組
PART NAME(EN) 零件名稱(英文)	Pulse Receiver Set
SAP PART NO SAP料號	0000089110  A



DRAWING NO 圖號	TM501-AN16
PART NAME(CH) 零件名稱(中文)	儀錶轉接板組
PART NAME(EN) 零件名稱(英文)	UCB Interface Board Set
SAP PART NO SAP料號	0000089500 ^{REV} A



T7x-02-G4_FTM501C_CTM502C_2009-2010

Reference N	Part#	Description	Notes
1	0000088969	Tension Wheel Set;TM501;T5x-02;	
10	0000088979	Side Rail Mounting Bracket Set;TM501;SBOM;	
11	0000084529	Semi-Assy;TM501 Console Mast Set;L;	
12	0000084539	Semi-Assy;TM501 Console Mast Set;R;1US;	
13	0000089487	Elastomer Set;Running Deck;Front;T5x-02;	Please return for inspection.
14	000763-E	Elastomer;Black 90	
15	0000089488	Elastomer Set;Running Deck;Middle;T5x-02	
16	0000088993	Rear Adjustable Leveler Foot Set;Right;TM501;	
2	0000088970	Motor Set;TM501;SBOM;	
3	0000088971	Motor Mounting Screw Set;TM501;SBOM	
4	0000088973	Motor Cover Set;Upper	
AQ2	0000086075	Motor Cover;Front	
AR1	0000091544	Roller Set;Front;3.5inch;JR01;	
AR2	014680-E	Rear Roller Set;3.5 Inch	
B102	0000085362	Screw;SH;M8X1.25PX20L;;HS;;BAN;;	
B103	005005-AC	Washer;Split;8.2X15.4X2.0T;;BZN;	
B22	0000084525	Bracket;Power Switch Mounting;SPHC;1.6t;	
B23	0000084526	Bracket;Side Rail;SPHC;2.0t;TM501;	
B24	0000084527	Cover;Elevation Rack Pivot Joint;SPHC;1.	
B25	0000088975	Rear Shim Foot Plate Set;TM501;SBOM;	
B34	1000214787	Bracket;Power Cord Retaining;SMALL;SPCC;1.6t;B	Screws NOT included: Also order B60 (x2). SMALL BRACKET (larger bracket not available any longer). Also send power cord if the unit has the large version. Return for inspection only if Feb 2010 production or later. For example: TM5011002XXXXX. Deck should be flipped once before replacing it.
B35	004301-B	Running Deck;616x1340x25.4t	
B51	0000084584	Screw;BH;M8X1.25PX20L;;HS;;BAN;;	
B52	0000089799	Washer;6.2x40.0x4.0t;	
B53	0000089800	Washer;DSP;6.4X14.0X1.2T;SPHC ;;	
B54	0000085924	Screw;SH;M6X1.0PX140L;;HS;;BZN;;	
B55	0000095437	Nut;Nlk;M8X1.25Px6t;;BZN;;	
B55	0000095437	Nut;Nlk;M8X1.25Px6t;;BZN;;	
B55	0000095437	Nut;Nlk;M8X1.25Px6t;;BZN;;	
B56	004355-00	Screw;Oval;PH; M4X0.7PX10L	
B57	0000086599	Screw;BH;M6X1.0PX12L;CT;PH;;BAN;;	
B58	0000085362	Screw;SH;M8X1.25PX20L;;HS;;BAN;;	
B59	004562-AB	Screw;Hex Socket;Sink;Stainless;M8x1.25Px35L	
C03	0000084534	Mounting Plate;Console Mast Front;A;SPHC	
C04	0000084537	Mounting Plate;Console Mast Rear;B;SPHC;	
C50	004321-00	Screw;Round;PH;M4 x 0.7P x 10L	
G53	0000092900	Screw;BH;M3x0.5Px6L;MT;PH;CST;BZN;BP	
H50	0000094653	Screw;Extrawork;SH;M16;Polish	

H54	000035-D	Transport Wheel;Nylon;100;BL;TM65
H55	005042-00	Washer;Flat;8.2X30.0X2.0T;Black Zinc
H56	004757-00	Screw;Oval;Hex Socket;M8x1.25Px12L
H57	005220-00	Washer;Wavy;20.7x29.1x.3T
H59	020378-00	Nut;Hex;M16x2.0Px7.8t;
H60	009469-C	Bushing;Pedal Arm;A;CS05
H61	0000082344	Washer;DSP;16.2X31.5X1.75T;;;
JM13	0000086720	Elevation Motor;1300LB/115V;127mm;TM501;
JM96	1000206713	Tape;Single Sided;75x25x1.5t;T5x-03;
M03	0000094477	Motor Control Board;1.5KW/90~264V;Delta
M06	004589-00	Screw;Hex;W3/8x47L/Tooth14L
M07	038118-A	Ground Wire;Motor;240L;(KST RVS3-5)x2;TM
M07	038118-A	Ground Wire;Motor;240L;(KST RVS3-5)x2;TM
M09	001295-B	Insulating Sleeve;Screw;ABS 10.2X14/24X7L
M11	0000094431	Fan;Cooling;FD128025LB;DC 12V/0.1A;T7000
M14	0000095368	Screw;SH;M10X1.5PX25L;;HS;;BZN;;
M17	020478-00	Washer;Flat;10.2x20.0x2.0T;Black Zinc
M20	1000201218	MCB Cover;ABS/PA765/MX-silver gray;
M21	0000086524	Guard;Fan;PG-80;BLACK;
M22	0000093962	Pin;Elevation;Clevis;SCM440x15x65L;Runner Gold
M23	008652-A	Pin;Hairpin Cotter;2x33L;ZNC
M35	005189-00	Washer;Teflon;10.5x25x1.0T
M36	004996-A	Key;Round;Dual-End;6x6x35L
M38	000885-C	Rubber Pad;Motor;Anti-Shake
M49	0000089674	Power Cord Ferrite;FH1200-B/W;Lian Ci;TM501;
M50	1000211092	FILTER;20A;125/250V;ROHS;-;
M51	004361-00	Screw;Phillip;BH;M4x0.7Px10L;Ni;Gap;
M53	0000087483	Screw;BH;M4X0.7PX35L;;PH;;BZN;;
M54	004384-00	Screw;Phillip;BH;M5x0.8Px30L;Ni;Gap;
M55	004889-00	Nut;Hex;M5x0.8P;Nickel
M56	0000082734	Washer;Senated;M5.3X10X0.6;Zinc Plate
M57	001682-00	Clip;Tie Strap Hold Down;HC-0L;P
M59	005190-B	Washer;Teflon;10.5x25x1.5T
M60	1000203251	Plastic Base;WH;CHF-11E;
M61	005109-00	Washer;Flat;8.5x25x1.5T;Black Zinc
M68	004700-AB	Screw;Hex Socket;TH;M8X1.25PX15L;Chromed
M69	005010-00	Washer;Spring;10.75x17.2x2.16t
Not Shown	0000086162	Carton;Frame;Include Printing;1US;T5x-02
Not Shown	0000095140	Manual;Assembly;English;TM501C;
Not Shown	0000084583	Hardware Pack
Not Shown	ZMS4004993	Matrix treadmill end cap touchup paint
Not Shown	0000095685	Semi-Assy;TM507 Frame Set;TM501-503#7-9#
P01	1000317845	Power Switch;ON-OFF;W/ Light;125V/250V;2

Defective Delta board must be returned for analysis at JHTNA
ATTEN: Kenny Chenn

Please see "Elevation Bracket Upgrade" in Service Bulletins. Also send Loctite 262 (red) - ZMS3000209.

P02	002127-A	BS Wire;60L;12AWG;Black;TM86;	
P05	0000086674	Power Wire; EMI Filter to Switch;200(RVS	
P06	0000085207	Wire;TV Power Extended;1850(VHR-2NX2);TM50	
P08	1000209313	Circuit Breaker;20A;125V/250V;RFLB-2	
P09	0000086676	Signal Wire;TV;U;2100(FM-0086-NBG7)	
P11	0000086677	Wire;Signal Extended;C-SAFE;200(RJ-45-08	
P12	0000086159	Signal Wire;C-SAFE;1750(H6630R1-08+XAP-0	
P15	002391-A	Ground Wire;EMI Filter; W/FERRITE 160L	
P16	1000201219	Wire;Control Board;600+600+300(KST,RVS3	
P17	0000088746	Power Socket;80+130(SS-3B+FDNYD5-250-1)	
P18	0000088747	Ground Wire;Power Socket;200+50(KST FDFN	
P27	065248-A	TV Coax Adaptor;Female;F-A028-NBX7-C	
P29	1000201167	Console Cable Communication Wire;2000(MOLEX,50-70-9408x	
P33	1000229192	POWER CORD SET;10-ft;1US;TM501E-1US;	(90 Unit, 90 Outlet) 15 foot NEMA. 180 degrees at the outlet, and 90 degrees at the unit.
P33	0000094429	Power Cord Set;15-ft;NEMA (90 unit, 180 outlet)	
P33	0000094428	Power Cord Set;10';NEMA (90 unit, 180 outlet)	
P34	003393-A	Ferrite Core;FH1500B;TM87 K1 RH12.5x12.5x8	
P50	056225-A	Ferrite;PART OF #79 CABLE;NOT ORDERABLE;	
Q03	0000086077	End Cap;Rear Roller;Left;T75B1-SV040;T5x	
Q04	0000086078	End Cap;Rear Roller;Right;T75B1-SV040;T5	
Q05	0000084691	Side Rail;PVC;425C;T5x-02;	
Q06	0000084538	End-Cover;Console Mast;Left;ABS/PA746/80	
Q07	0000084587	End-Cover;Console Mast;Right;ABS/PA746;8	
Q11	000511-B	Foot pad;Frame;R;Nylon+G15%;;;;TM65	
Q13	015139-AA	Fix Plate;Velcro	
Q21	020096-00	Screw;Hex Socket;Round;M8x1.25Px15L;Chromed	
Q23	004481-00	Screw;Hex Socket;Round;M8x1.25Px45L	
Q24	020351-A	Screw;Phillip;Sink;Tapped;3x12L;	
R04	1000340398	Belt;POLY-V;;310-J12;Halftone;GATES	
R05	0000094489	Running Belt;Wax;554X3330X2.5T;TM65	
R07	004495-00	Screw;Round;Hex Socket;M10X1.5PX100L	
R08	004529-00	Screw;Hex Socket;Round;M10x1.5Px40L	
R09	005006-00	Washer;Spring;SW10 10.2x18.4x2.5t	
R10	005062-00	Washer;Flat;10.2x19x2.0T;Chromed	
U04	0000084591	Idler;SS41;53.5x40L;T5x-02;	
U05	0000091047	Bearing;Dry;WFM-2528-11;;;IGS;;;	
U49	0000086229	Spring;Extension;3.0x25.0x127.1Lx30N;	
U50	0000088505	Bearing;Ball;6203LUZ;17X40X12T;;TPI;;;	
U51	086331	Washer;Wavy;17.2X22.5X0.3T	
U52	005025-00	Washer;Flat;25.5x38.0x1.5t;Black Zinc	
U53	005219-00	Washer;Wavy;26.0x35.0x0.3T	
U54	005366-00	C-Clip;External;S-25	
U55	005363-00	C-Clip;External;S-17	
V01	1000346763	Decal;Console Mast;;Gray;;;TM501-US	
V01	1000346763	Decal;Console Mast;;Gray;;;TM501-US	
V05	0000086226	Nameplate;Motor Cover;LOGO;T5X-02;	

V11	006078-00	Decal;Grounding;TM08	
V21	006073-C	Warning Sticker;Motor;Yellow/Red/Black/W	
X07	0000089111	Tape;Dual Sided;20x30x3t;TM501;	
Z10	020090-00	Screw;Hex Socket;Round;M10x1.25Px20L;Chromed	
Z14	005130-00	Washer;Flat;8.4x15.5x1.6T;Chromed	
Z18	004456-00	Screw;Round;Hex Socket;M5x0.8Px16L	
17	N/A	Order cables separately as needed	Order P09, P12, and P29.
AU2	Part of Kit 1	Painting;Idler Set;BL;TM501;	
B100	Part of Kit 16	Fix Plate;Foot Pad;B;SPHC;2.0t;TM501;	
B101	Part of Kit 16	Foot pad;5/8 Inch-11UNC;BED;TM501;	
B36	Part of Kit 15	Elastomer;GBR-3-47-1.06 inch;	
B36	Part of Kit 13	Elastomer;GBR-3-47-1.06 inch;	
B37	Part of Kit 13	Attached Plate;Elastomer;SPCC;1.6t;Zn Pl	
B38	Part of Kit 14	Elastomer;Black 90	
C01	Part of Kit 11	Console Mast;L;AL;TM501;	
C02	Part of Kit 12	Console Mast;R;AL-6063;TM501;	
M01	Part of Kit 2	Motor Set(Reedback);AC;3HP/230V/6.5A;TM5	
M04	Part of Kit 2	Flywheel;Motor;FC20;190;TM65C	
P52	N/A	Magic Wire;250 M/ROL	discontinued, this is not a cable used to run the machine
11	0000088980	Console Mast Set;Left;With Decal	Discontinued
12	0000088981	Console Mast Set;Right;Includes Decal;TM501;SBO	Discontinued
B25	0000084528	ADJ plate;Foot Pad;SPHC;2.0t;BED;TM501;	Discontinued
M17	020477-00	Washer;Flat;10.2X20.0X2.0T;Black Zinc	Discontinued
M50	003530-A	EMI Wave Filter;115V/250V/20A	Discontinued
P01	018612-A	Power Switch	Discontinued
P13	001597-A	GROMMET;NYLON;WHT	Discontinued
P33	0000094855	Power Cord Set;10';NEMA (90 unit, 90 outlet)	Discontinued
P33	066055-A	Power Cord 15' NEMA (USA 110V);4500,12AWG(T	Discontinued
Q12	001540-B	Velcro;Both Sides;50x50mm;TM65;	Discontinued
R04	004193-D	Drive Belt;Poly-V;310-J12	Discontinued
V01	0000084572	Label;Console Mast;TM501;	Discontinued
V01	0000084572	Label;Console Mast;TM501;	Discontinued
Reference N	Part #	Description	Notes
1	Part #	Safety Key Set;;;Red Switch Clip;T5X-02-	
10	0000089687	Quick Key Set;TM502;T7x-01;	
13	0000089498	Speaker Set;TM501;T5x-02;	
14	0000089110	Heart Rate Board;Receiver	
15	0000089500	UCB Interface Board Set;TM501;T5x-02;	
17	0000089689	7 Inch TFT LCB Module Set;TM502;T7x-01;	
18	1000218688	CONTROL BOARD SET;LMM REPLACE MMM;TM502;	

New style tuner. Used in production since 9/7/2012. The new style tuner is backwards compatible. Please see the document "AverMedia Tuner" in Parts Replacement or the video "New TV Tuner Replacement" on the Matrix Fitness YouTube page for replacement instructions.

19	1000232091	Tuner module set
2	0000088988	Fan Shroud Set;Internal;TM501
20	0000089691	TV Control Board Set;TM503;T7xe;
3	0000088984	Fan Vent Set;TM501;T5x-02;
4	1000228703	Handlebar Set;English;T-7xe-04-C;
5	0000091816	Heart Rate Grip Cover Set
6	1000385828	Overlay Set;Start Quick;;English;;TM520;
7	0000094434	Ear Phone Board Set
AN1	0000085927	Console Base Frame Set;BL;TM501;
AN10	0000086724	Cover;Console Display;TV Rack;Printing;T
AN11	1000352475	Switch Clip Set;Safety;;Red;T5X-02-C;
AN2	0000084692	Bracket;Console Support MTG;Left;BL;TM50
AN3	0000084697	Bracket;Console Support MTG;Right;BL;TM5
AN5	0000086603	Overlay Set;TV;TM502;
AN5	1000208125	Overlay Set;TV;ENGLISH
AN7	1000217796	Console Front Faceplate Plastic;Printing;TM5
AN8	0000086601	Overlay Set;Console Display;TM502;
AW12	0000090614	Isolation Plate;UNDER;TUNER;SUS430;0.3t;
AW13	0000090620	Insulation Plate;UPPER;PC;0.254t;T7xe;
AW14	0000090621	Insulation Plate;UNDER;PC;0.254t;T7xe;
G15	0000086068	Cover;Sensor;Upper;ABS/PA-746;MT-11010;
G16	0000086092	Cover;Sensor;L;ABS/PA746;MT-11010;426C;T
G17	0000086271	Cover;Sensor;R;ABS/PA746;MT-11010;426C;T
G33	0000086168	Wire;Elevation Fast Key;850(H6630R1-H20Y1-
G34	0000084638	Wire;Speed Fast Key;850(XAP-04+H20Y1-03);
G35	0000086160	Phone Board Wire;1000(TKP,H20Y1-08+JST,P
G36	0000086672	Heart Rate Sensor Wire;Left;700(H6630R1-02+11
G37	0000086673	Heart Rate Sensor Wire;Right;700(H6630R1-02+11
G50	0000086277	Screw;TH;M8X1.25PX20L;;HS;MT;BAN;;BP
G51	0000087858	Screw;Round;M3X0.5PX12L;;PH;SSTSUS304;BAN;
G52	0000095642	Screw;BH;M5X0.8PX16L;;PH;;BED;;BP
G53	0000092900	Screw;BH;M3x0.5Px6L;MT;PH;CST;BZN;BP
G54	0000092900	Screw;BH;M3x0.5Px6L;MT;PH;CST;BZN;BP
N02	0000084595	Cover;Console Rear;ABS/PA-746;MX
N03	0000084596	Cover;Console;Bottom;ABS/PA-746;MX
N04	0000084597	Cover;Upper Console Plastic;Left;ABS/PA746;MX-S
N05	0000084598	Cover;Upper Console Plastic;Right;ABS/PA-746;MX-S

Overlay on replacement part is black; original was white.

Has a black overlay instead of the original white.

For use with an LMM board at software v1.2 or higher - See Entertainment Overlay Option Service Bulletin.

N06	0000084599	Arm Rest;Left;PU;MT-11345;426C;T5x-02;
N07	0000084600	Arm Rest;Right;PU;MT-11345;426C;T5x-02;
N08	0000084680	Cup Holder;Left;TPR+30%PP;80435;TM501;
N09	0000084681	Cup Holder;Right;TPR+30%PP;80435;TM501;
N100	0000089112	Spacer;Support;MEA-05;PINGOOD;
N102	0000083655	Heart Rate Board Receiver;Inbuilt;All in one;SALUTRON Please return for inspection
N103	0000089111	Tape;Dual Sided;20x30x3t;TM501;

Per customer request. Note: This cover is used to remove the options for iPod connectivity. To install, disconnect and remove iPod cable from console and conceal input with cover.

N104	0000085276	Cover;IPOD JACK;ABS/PA746;80435;
N11	0000084682	Cover;Console Mast;Left;ABS/PA-746;80435;TM
N12	0000084683	Cover;Console Mast;Right;ABS/PA-746;80435;TM
N18	0000086932	cover;IPOD Fixing;ABS/PA746;MT-11010;804
N19	1000216152	Fan ADJ Plate;SUS304;0.3t;T9000;
N20	0000084935	Bracket;Console Mast Mtg;Left;SPHC;4.0T;BED
N202	0000092696	Fixing Plate;Fan;0.8t;T5x-02;
N203	0000095575	Tape;Foam;One-Sided;50x15x1.5T;
N21	0000084936	Bracket;Console Mast Mtg;Right;SPHC;4.0t;BED
N30	0000085980	Fix Plate;Emergency;SPHC;1.6t;BED;TM501;
N33	0000086064	Cover;Console;Right;ABS/PA-746;BL;TM501;
N34	0000086065	Cover;Console;Left;ABS/PA-746;BL;TM501;
N38	0000086137	Bracket;Console Tray Support MTG;T5x-02;
N39	1000213930	Console Tray
N39	1000213930	Console Tray
N42	0000088887	insulation Plate;LCD;7 Inch TFT;PC;8B35;
N43	0000086530	Fix Plate;7 Inch;0.8;TM502;
N44	0000086072	Cover;Safety Key;Down;ABS/PA746;1797C;TM501
N46	0000089482	Wire;Console Set;80(99471+KST FDFNYD2-25
N49	020185-00	Screw;Phillip;BH;Tapped;4x10L
N52	0000091008	Isolation Plate;7 Inch;SUS430;0.3t;
N53	0000091009	Insulation Plate;7 Inch;PET;0.254t;
N90	004983-A	Insert Nut;Hex;NKHS-8125-2.5(M8x1.25P)
N91	0000088493	Insert Nut;RVN;;NLS7-580-3.3(M5X0.8P);;ZINC;;
N95	0000085778	Wire;UCB Little Board;550(3M1DC 7920-B50
N95	0000085778	Wire;UCB Little Board;550(3M1DC 7920-B50
N97	0000085776	Wire;Hand Pulse;250(2510A-03+XAP-03);TM5
N98	0000085777	Wire;Hand Pulse Sensor;180(2510-06+H6630
Not Shown	1000329072	IPOD Wire Cover;;;;;;I-POD wire used
Not Shown	0000086163	Carton;Console Set;Include Printing;1US;
Not Shown	0000095140	Manual;Assembly;English;TM501C;
P09	0000086676	Signal Wire;TV;U;2100(FM-0086-NBG7)
P12	0000086159	Signal Wire;C-SAFE;1750(H6630R1-08+XAP-0
P29	1000201167	Console Cable Communication Wire;2000(MOLEX,50-70-9408x
P33	003383-A	Ferrite Choke;FH0900B-2;Lian Ci;TM38
P34	003393-A	Ferrite Core;FH1500B;TM87 K1 RH12.5x12.5x8

Updated per ECR#2859

T02	0000084630	Safety Switch;R13-69;TM501;
T03	0000084631	Wire;E-Stop Switch;550(250X2+6630R1);TM5
T56	004614-00	Screw;BH;3X10L;SM;PH;;BAN;;POT
T58	0000093244	Screw;Phillip;BH;Tapped;4x8L;Zn-BL;
W02	0000089497	Sound Interface Board Set;TM501;SBOM;
W09	061339-B	Fan;DC12V/0.3A PMB1297PYB3-AY;EP70
W16	020205-AB	Screw;Round;3X8L;SM;PH;;BZN;;POT
W18	0000086709	T-CON Board;95DBK070T1A1F;TM502;
W19	0000086710	Backlight Power Supply Board;TM502;
W22	0000086687	Connector Wire;Speech Sounds;200(XAP-07X
W23	0000084636	Wire USB;250(XAP-06-1X2)
W24	0000084635	Signal Wire;CARDIO+EPORT;T5x-02
W25	0000086171	Wire;LCM;520(H6630R1-18X2);TM503;
W26	0000086172	Wire;TV Key;520(H6630R1-14X2);TM503;
W27	0000092303	Wire;Ipod;500(JST XADR-16+PAP-06/-10)
W28	1000353343	Ipod Extend Wire;;;;;;;300(MFI512S0017+
W30	0000090550	Ribbon Cable;Gray;Main Board 50P;60(JS-I
W31	0000086176	Wire;Backlight to Main Board;TM502;
W32	0000086175	Wire;7 inch LCD to Main Board;360L;TM502
W33	0000086711	Coax Cable;150;TM502;
W34	002737-B	TV Cable Wire;Middle;2KM;RB73C;
W34	020005-00	Screw;Phillip;Round;M3x6L;;Zn-BL
W35	0000089485	Coax Splitter;1 to 2;F-A025;TM502;
W36	0000086714	Wire;Soft;Metal;FMCNI-50-050-25.5-SS(100
W38	0000089108	Wire;Tuner Signal;JST PAP-12;T7x-01;
W39	028584-A	Foam Glue Tape;40x25x4T;One Sided
W40	004645-00	Screw;Phillip;Round;3x6L;;Zn-BL
W42	008864-A	Screw;Special;Round;2.9x1.06Px7L(Hi-Lo)
W42	008864-A	Screw;Special;Round;2.9x1.06Px7L(Hi-Lo)
W47	0000086701	Screw;RND;M3X0.5PX4L;;PH;;BZN;;
W49	065248-A	TV Coax Adaptor;Female;F-A028-NBX7-C
W50	005024-A	Washer;Flat;5.2X16.0X1.0T;;BZN;
W51	008864-A	Screw;Special;Round;2.9x1.06Px7L(Hi-Lo)
W52	004621-00	Screw;Phillip;BH;Tapped;4x15L;Gap
W54	0000090551	Ferrite Choke;FH0850B;T7xe;
W55	003383-A	Ferrite Choke;FH0900B-2;Lian Ci;TM38
W56	008866-A	Screw;Special;Round;4.0x1.34Px12L(Hi-Lo)
W56	008866-A	Screw;Special;Round;4.0x1.34Px12L(Hi-Lo)
W57	0000090611	Wire;Console Set;80(99471+KST MDFNYD2-25
W57	005157-A	Washer;Flat;4.3x12.0x1.0T;Black Zinc
W58	0000089483	Wire;Console Set;160(KST RVS3-5 5.3~
W59	0000088743	Screw;TRH;M3x.5Px6L;MT;PH;CST;ZNC;F-T
W60	0000089484	Wire;Console Set;130(99471BS-2+J1431BS-2
W61	0000089481	Wire;Console Set;50(99471+KST MDFNYD2-25
W62	040818-00	Screw;Round;2X6L;SM;PH;;CHM;;POT
W63	0000088743	Screw;TRH;M3x.5Px6L;MT;PH;CST;ZNC;F-T
W63	0000088743	Screw;TRH;M3x.5Px6L;MT;PH;CST;ZNC;F-T

W63	0000092776	Screw;Phillip;Round;M2x0.5Px8L;Adhere;
W65	020005-00	Screw;Phillip;Round;M3x6L;;Zn-BL
W67	004361-00	Screw;Phillip;BH;M4x0.7Px10L;Ni;Gap;
W67	0000091130	Cord;AS FS;31x5x12x1.0;
W72	008865-B	Screw;Special;Round;2.9x1.06Px12L(Hi-Lo
W73	008864-A	Screw;Special;Round;2.9x1.06Px7L(Hi-Lo)
W81	004385-00	Screw;BH;M5X0.8PX12L;;PH;;BAN;;
W82	0000092694	Screw;Phillip;Round;M5x0.8Px12L;
Z11	004541-AC	Screw;Hex Socket;Round;M8x1.25Px45L;Chromed
Z12	035882-AB	Screw;SH;M8x1.25Px75L;MT;HS;G12.9;CHM;P-
Z13	020072-00	Screw;SH;M8X1.25PX60L;;HS;;BAN;;
Z14	0000086571	Washer;FLT;8.2X16.0X2.0T;SPHC ;CHM;
Z15	004859-AC	Screw;BH;M8X1.25PX20L;;HS;;CHM;;
Z16	062769-00	Screw;Hex Socket;Round;M8x1.25Px15L;BED;
Z17	004539-AD	Screw;Round;Hex Socket;M8X1.25PX25L;Chromed
Z18	004385-00	Screw;BH;M5X0.8PX12L;;PH;;BAN;;
Z18	004385-00	Screw;BH;M5X0.8PX12L;;PH;;BAN;;
Z19	0000088905	Bushing;Threaded Flange;M8x10x16x8Lx2T
Z20	0000089835	Washer;Ribbed lock;8.5x12.8x0.8tx1.3h;
11	Order Separately	Console Cable Set;TM501C;T5x-03-C;
21	Order Separately as	Ipod Set;TM503;T7xe;
9	ZMFMTM0171	Console Set;ES;English
AG10	Part of Kit 6	Extrawork;Cover;Control;M;Print;TM501;
AG2	Part of Kit 4	Extrawork;Grip Set;MT-11030;426C;TM502;
AG3	Part of Kit 6	Overlay Set;START FAST;T7x-01;
AG6	Part of Kit 10	Quick Key;R;ABS/PA746;MT-11020;137C;T7x-
AG7	Part of Kit 10	Quick Key;L;ABS/PA746;MT-11020;137C;T7x-
AG8	Part of Kit 10	Extrawork;Cover;Quick Key;R;Print;T7x-01
AG9	Part of Kit 10	Extrawork;Cover;Quick Key;L;Print;T7x-01
AN13	Part of Kit 3	Vent;Fan;ABS/PA-746;Pantone:877C;TM501;
AN9	Part of Kit 1	Extrawork;Cover;Safety Key;U;Printing;T5
AW1	Part of Kit 19	Tuner Module;A+D ATSC TV;US;H2.0/S20
AW1	Part of Kit 19	Tuner Module;A+D ATSC TV;US;H2.0/S20
AW11	Part of Kit 19	Isolation Plate;UPPER;TUNER;SUS430;0.3t;
AW15	0000092144	Special Decal;TUNER;
G21	Part of Kit 7	Ear Phone Board;JHT-U07AB5-H002;T5x-03;
G31	Part of Kit 10	Quick Key;Speed;PT591-03 ELI-RD;TM503;
G32	Part of Kit 10	Quick Key;Elevation;PT591-03 ELI-LD;TM50
N101	Part of Kit 14	Fix Plate;SPHC;1.6t;BED;T5x-02;
N152	1000206286	Spec Label;TUV;TM502C;
N45	Part of Kit 18	Fix Plate;PCB;1.0t;TM502;
N92	Part of Kit 15	UCB Translator Board;U07AA3_H001;TM501;
W01	Part of Kit 18	Control Board B;CONSOLE;H003 S3.2;TM502/
W02	Part of Kit 20	Control Board;TV;U07AB4-H001;TM503;Coati
W13	Part of Kit 13	Speaker Set;AK-402808BC-3T+280+XAP-02;TM
W17	0000086708	TFT-LCD Module;C070VW02V0;TM502;
W53	Part of Kit 18	Control Board;Console;H002;GUI:1.10/OS:2

W68	0000090612	Label;WIN CE Software Authorize;5.0 edit	
W68	Part of console set	Double;Tape;tesa;10x5xY0.2	
W69	Part of console set	Fiber Tape;TI-21501(10mm)	
1	0000088982	Switch Set;Emergency Stop TM501;T5x-02;	Discontinued
1	1000233602	Safety Key Set;-;-;T5X-02	Discontinued
18	0000094790	Console Control Board Set;TM502;T7x-01;	Discontinued
19	0000089690	Tuner Module Set	Discontinued
4	0000089684	Handlebar Assembly Set;Complete;TM502	Discontinued
6	0000088987	Quick Start Overlay Set	Discontinued
AN11	013862-A	Safety Key Set;Clip & String	Discontinued
AN11	1000231246	Safety Switch Set;BL Rope;TM501-1US;TM50 D/C, NO	Discontinued
AN7	0000086088	Cover;Console Display;Front;Printing;TM5	Discontinued
N19	0000080710	Fan Adjustment Plate;SUS304 0.3t;TM98-N11C;	Discontinued
N39	0000086138	Console Tray;Anti-Slip Rubber;MT-11010;4	Discontinued
W10	0000085205	RF Control Module Set;300L;T5x-02;	Discontinued
W28	0000085414	EXT Wire Ipod;175(APPLE MF1517-0433+JST	Discontinued
W28	1000346761	Ipod Extend Wire;,,,,,,;175(APPLE MFI5120	Discontinued